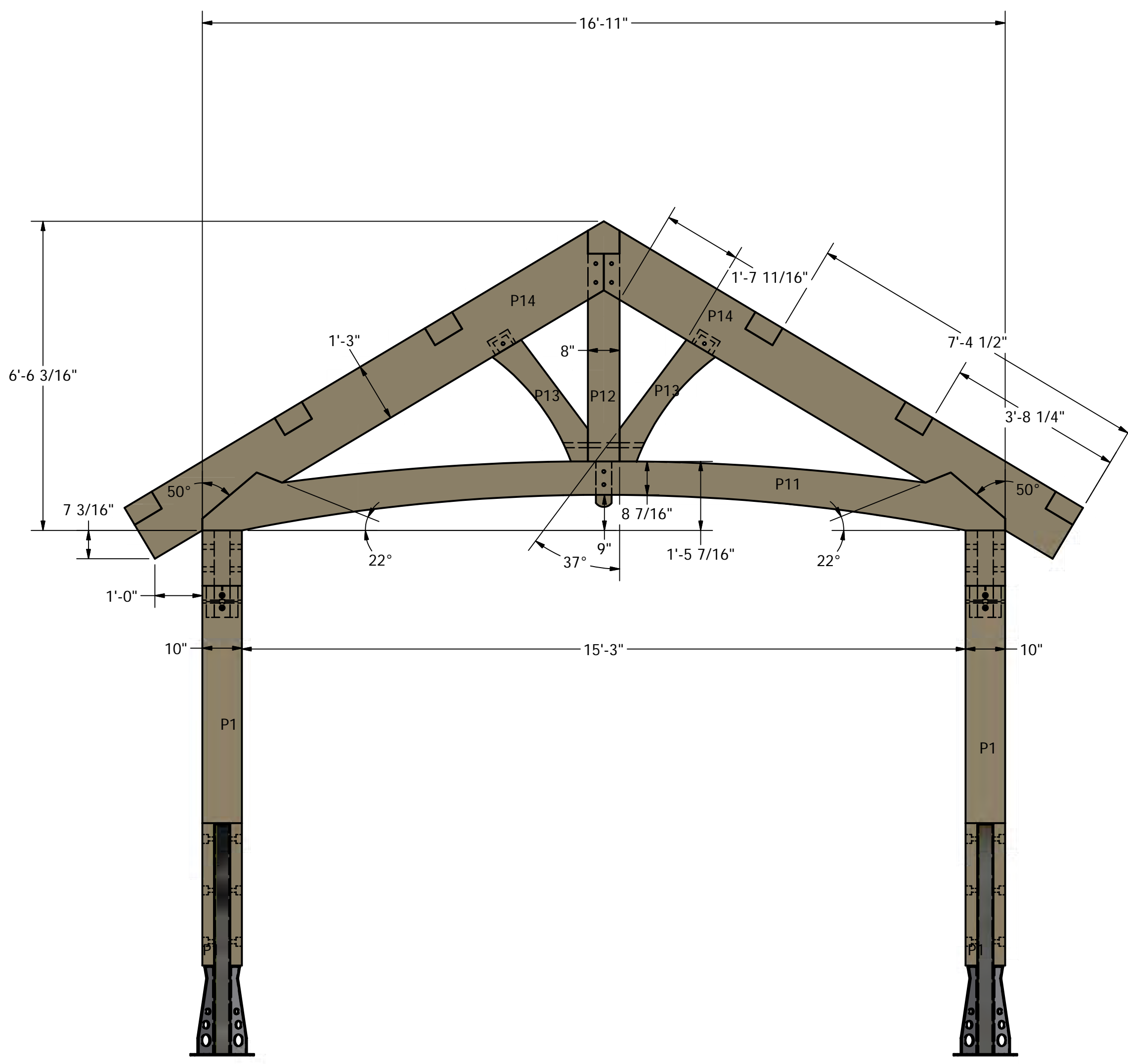
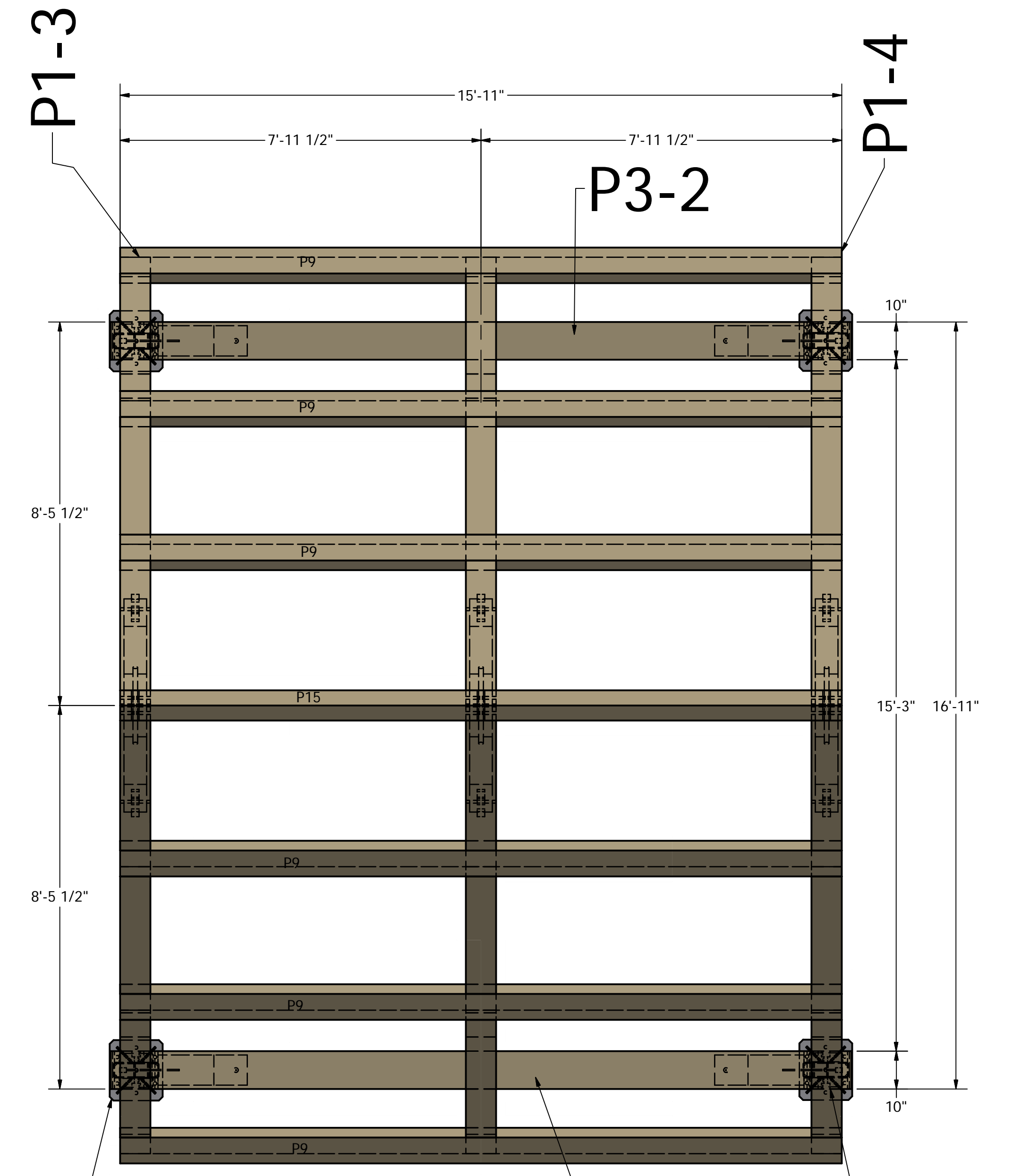


SIDE
SCALE 1/2"=1'

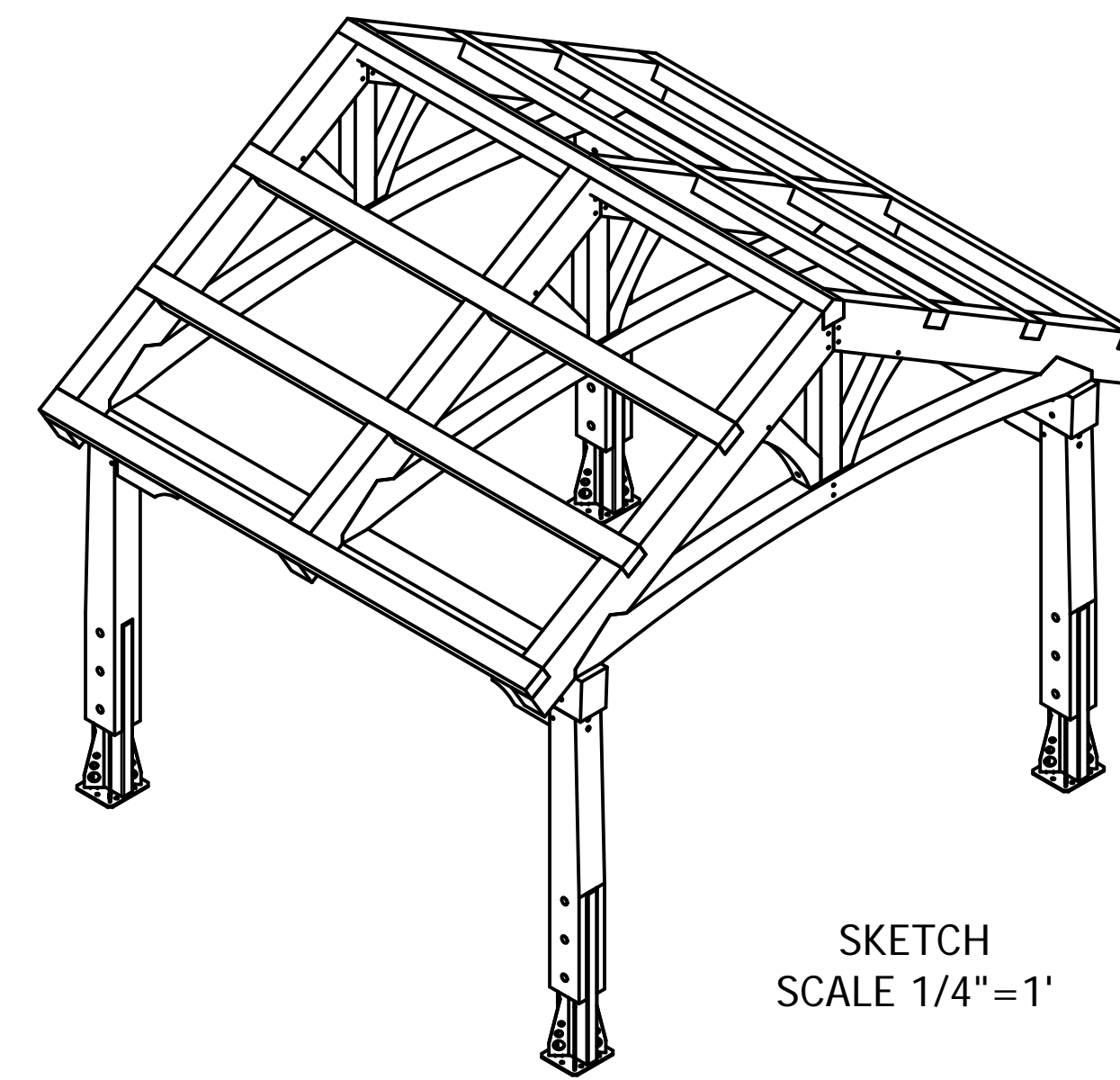


SIDE
SCALE 1/2"=1'



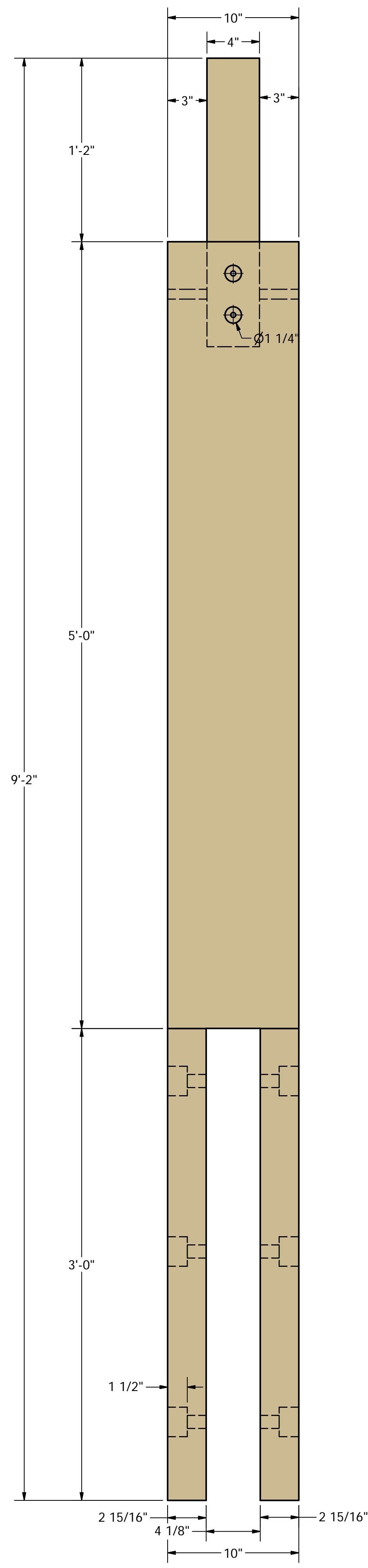
VIEW G-G
SCALE 1/2"=1'

11	13	14	15	16	17	18	19	20	21	22	23	QNTY	BF
SIZING	TYPE	DESCRIPTION											
10" x 14" x 17 FT	S-Pine	HEADER BEAM (P3) [SHEET 4]		2	397								
10" x 13" x 11 FT	S-Pine	POST (P1) [SHEET 2]		4	477								
8" x 18" x 17 FT	S-Pine	TIMBER TRUSS- BOTTOM CORD (P11) [SHEET 8]		3	612								
8" x 15" x 12 FT	S-Pine	TIMBER TRUSS- TOP CORD (P14) [SHEET 12]		6	720								
8" x 8" x 12 FT	S-Pine	POST BEAM SUPPORT (P2) [SHEET 3]		2	128								
8.5" x 6" x 16 FT	S-Pine	TIMBER DIAGONAL CORD (P13) [SHEET 10] ADD 1 MORE TO LIST		1	68								
8" x 5" x 16 FT	S-Pine	TIMBER PURLIN (P9) [SHEET 15]		6	320								
2" x 6.75" x 17 FT	S-Pine	2" x 6 3/4" (FASCIA BOARD)		6	115								
1.8" x 10.4" x 12 FT	S-Pine	1 3/4" x 10 3/8" (T&G ROOD DECKING)		50	908								
8.2" x 8" x 17 FT	S-Pine	8 3/16" x 8" RIDGE BEAM (P15) [SHEET 16] ADD TO LIST		1	93								
8" x 6" x 16 FT	S-Pine	TIMBER CENTER CORD (P12) [SHEET 9] ADD TO LIST		1	64								

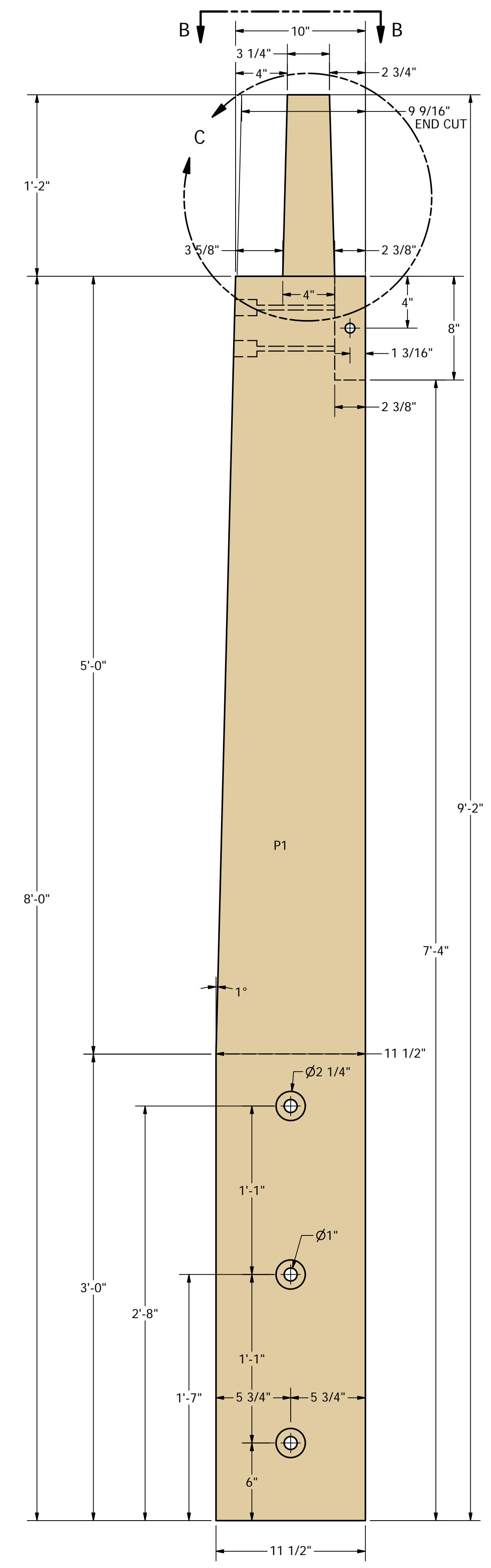


SKETCH
SCALE 1/4"=1'

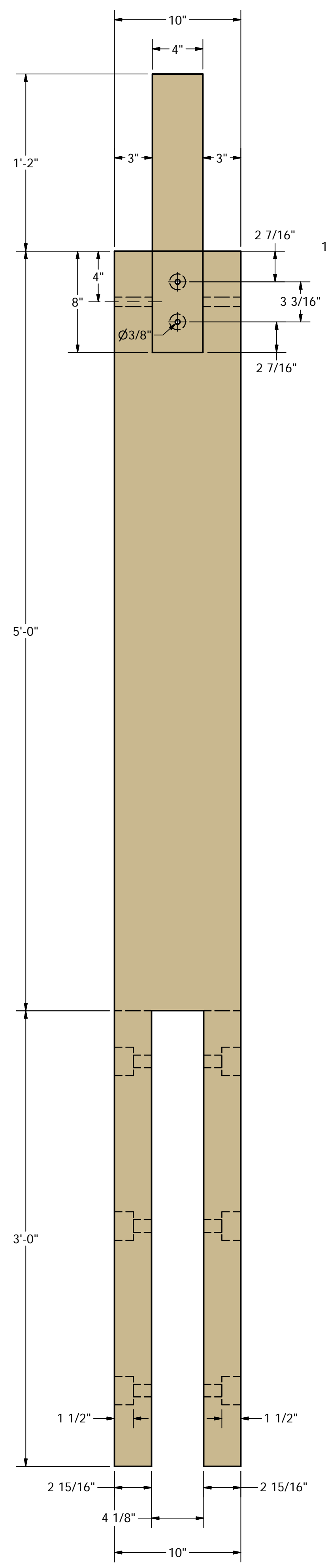
DRAWN	slunford	8/7/2023	WHITES PERGOLA		
CHECKED			TITLE		
QA			REV		
MFG			REV		
APPROVED			REV		
			SIZE	DWG NO	REV
			24 x 36 (inches)	PERGOLA	
			SCALE	1/2"=1'	SHEET 1 OF 24



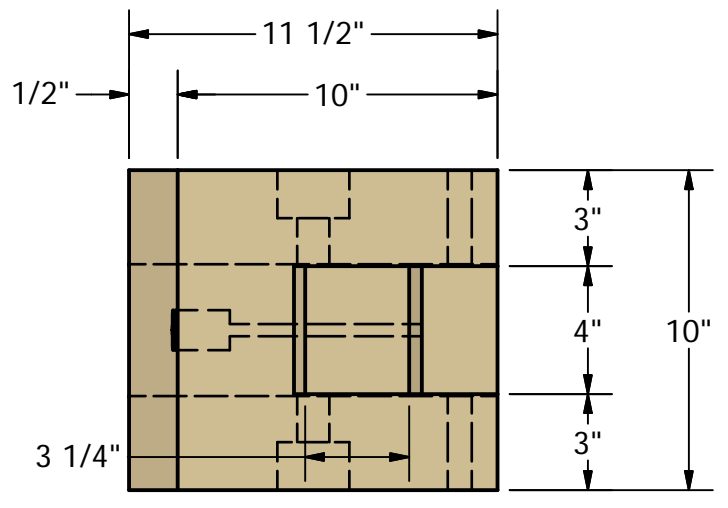
SIDE
SCALE 2"=1'



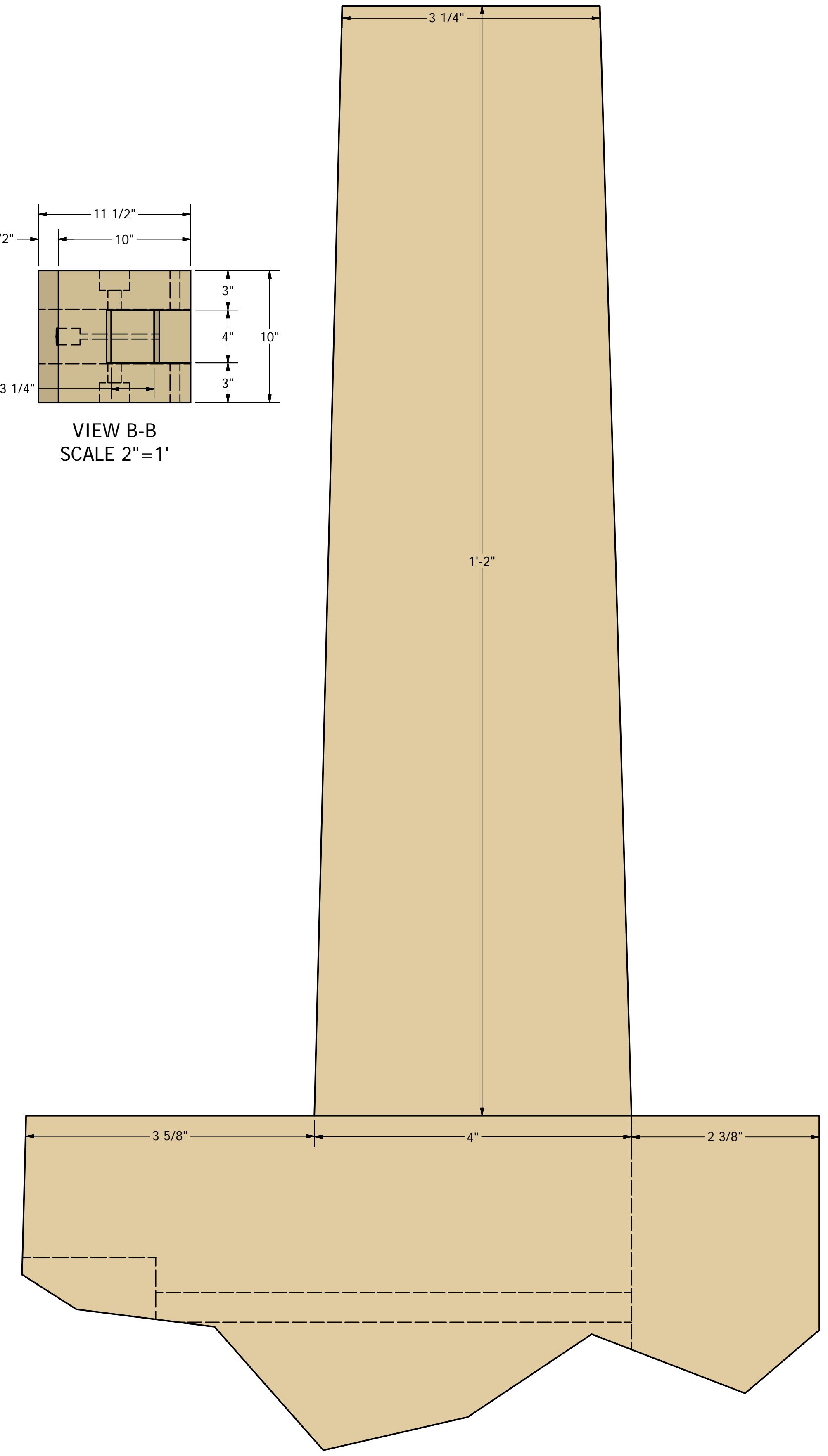
FRONT
SCALE 2"=1'



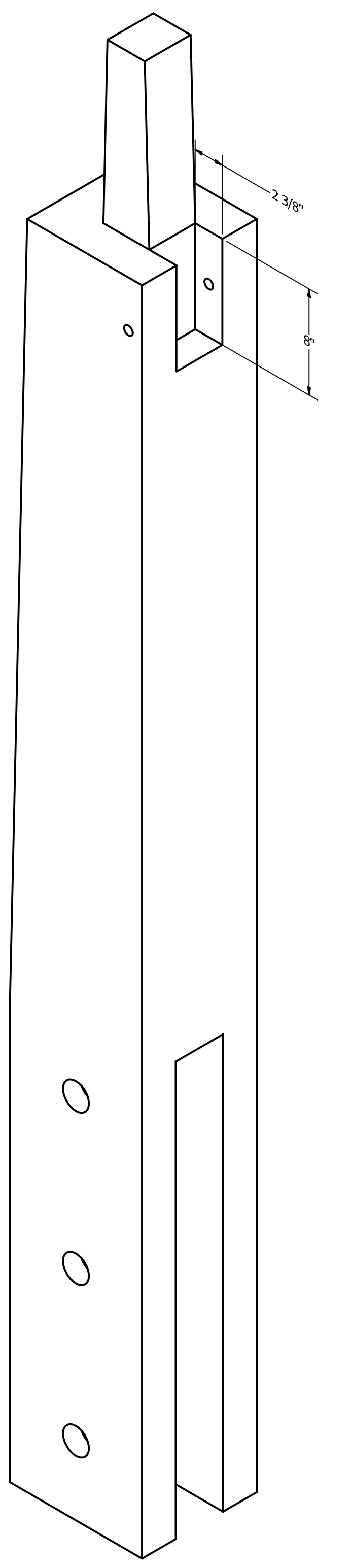
SIDE
SCALE 2"=1'



VIEW B-B
SCALE 2"=1'

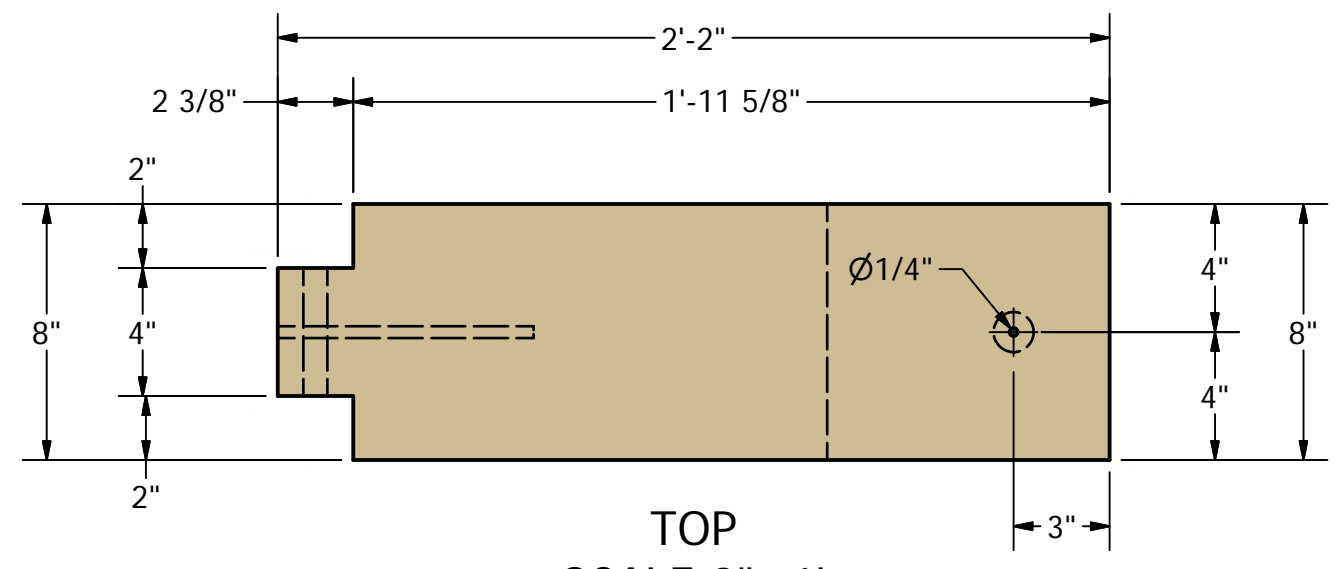


DETAIL C
SCALE 1:1

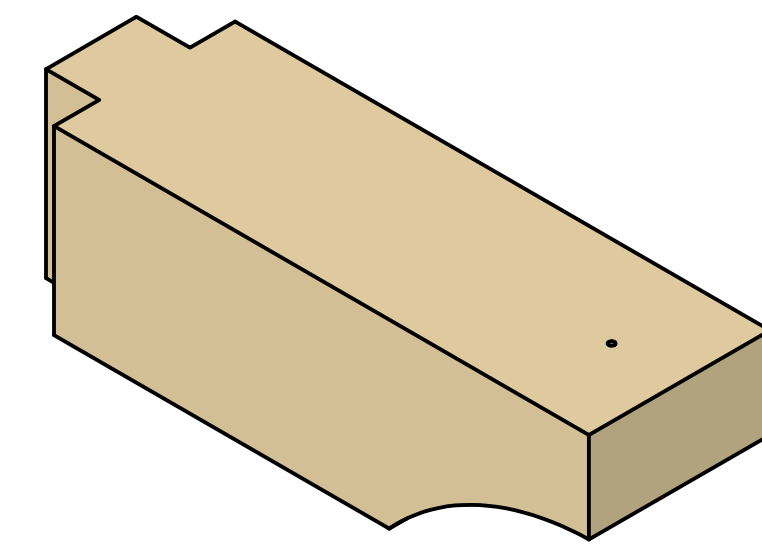


SKETCH
SCALE 2"=1'

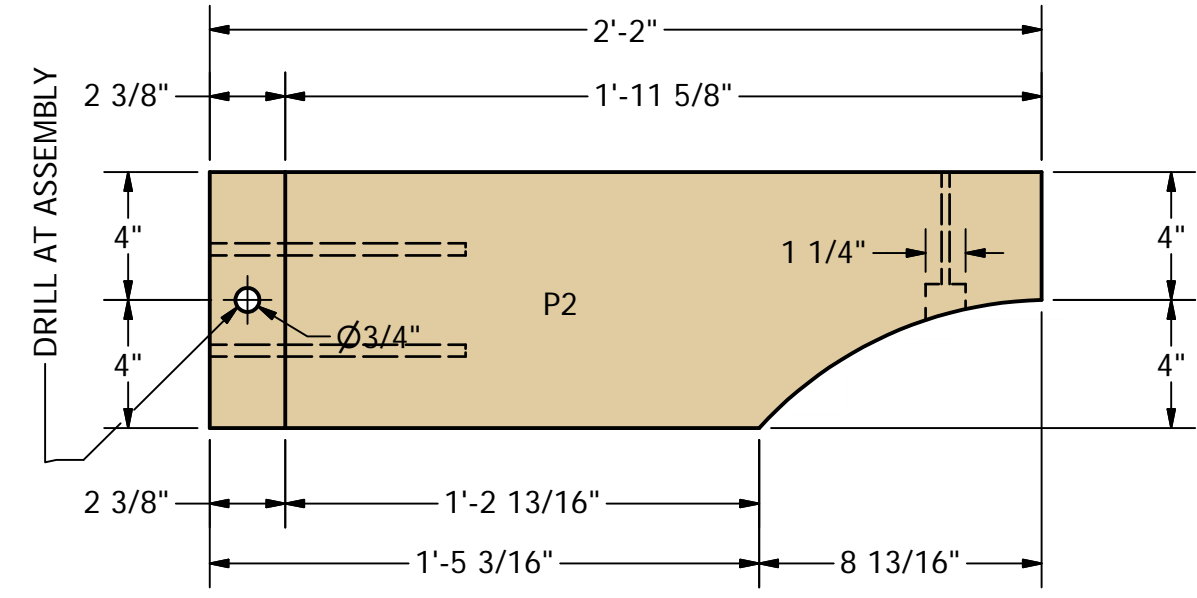
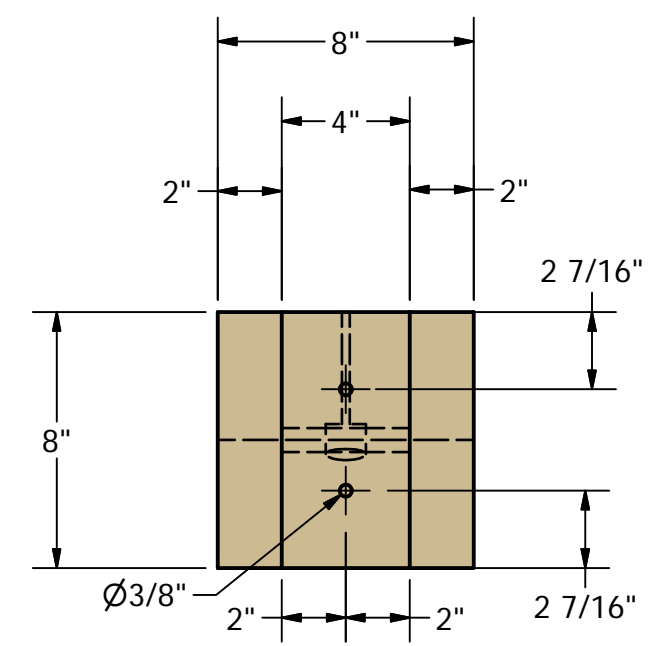
DRAWN slunford	8/7/2023	P1	
CHECKED		TITLE	
QA		4 TOTAL	
MFG			
APPROVED			
	SIZE 24 x 36 (inches)	DWG NO PERGOLA	REV
	SCALE 2"=1'	SHEET 2 OF 24	



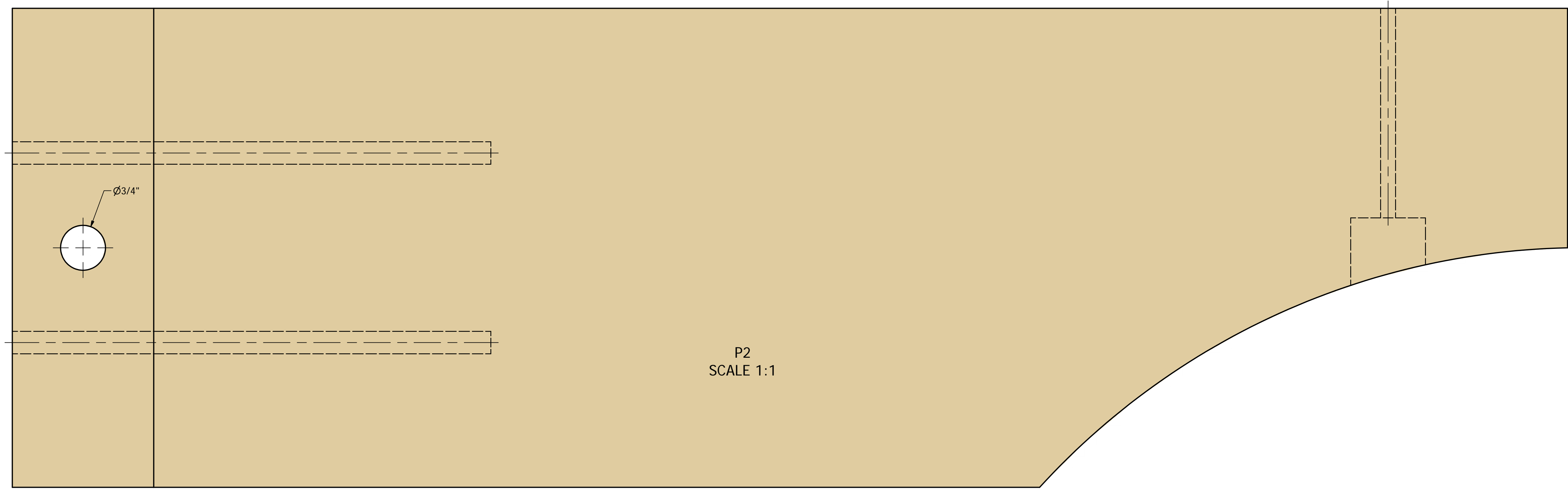
TOP
SCALE 2"=1'



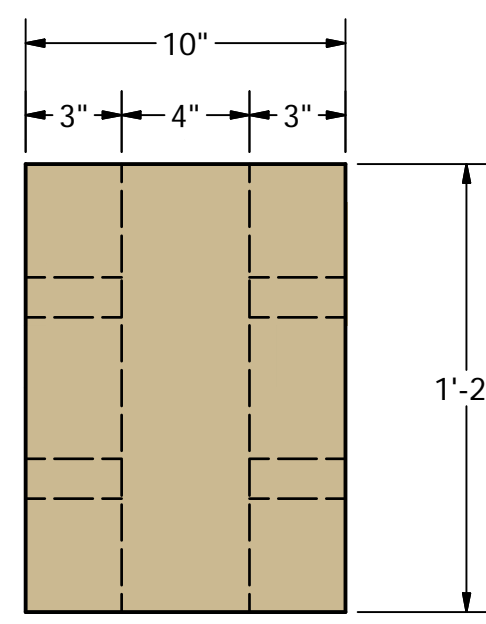
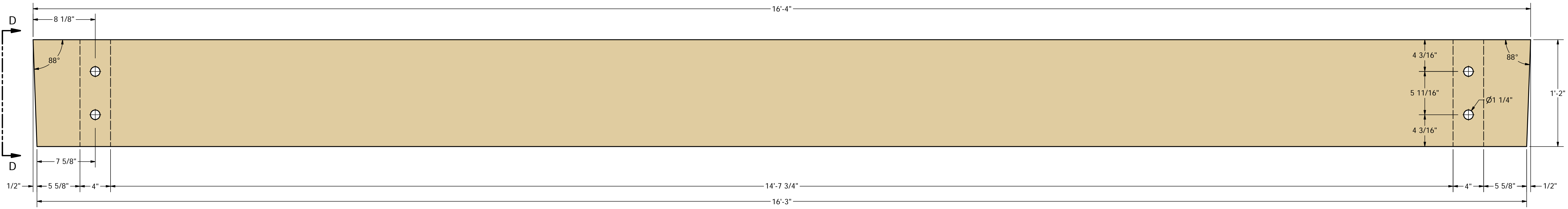
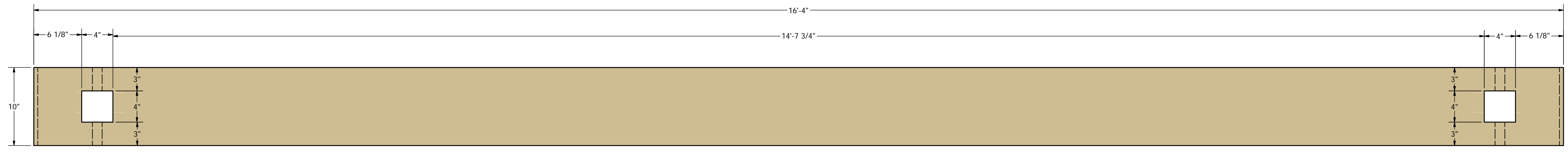
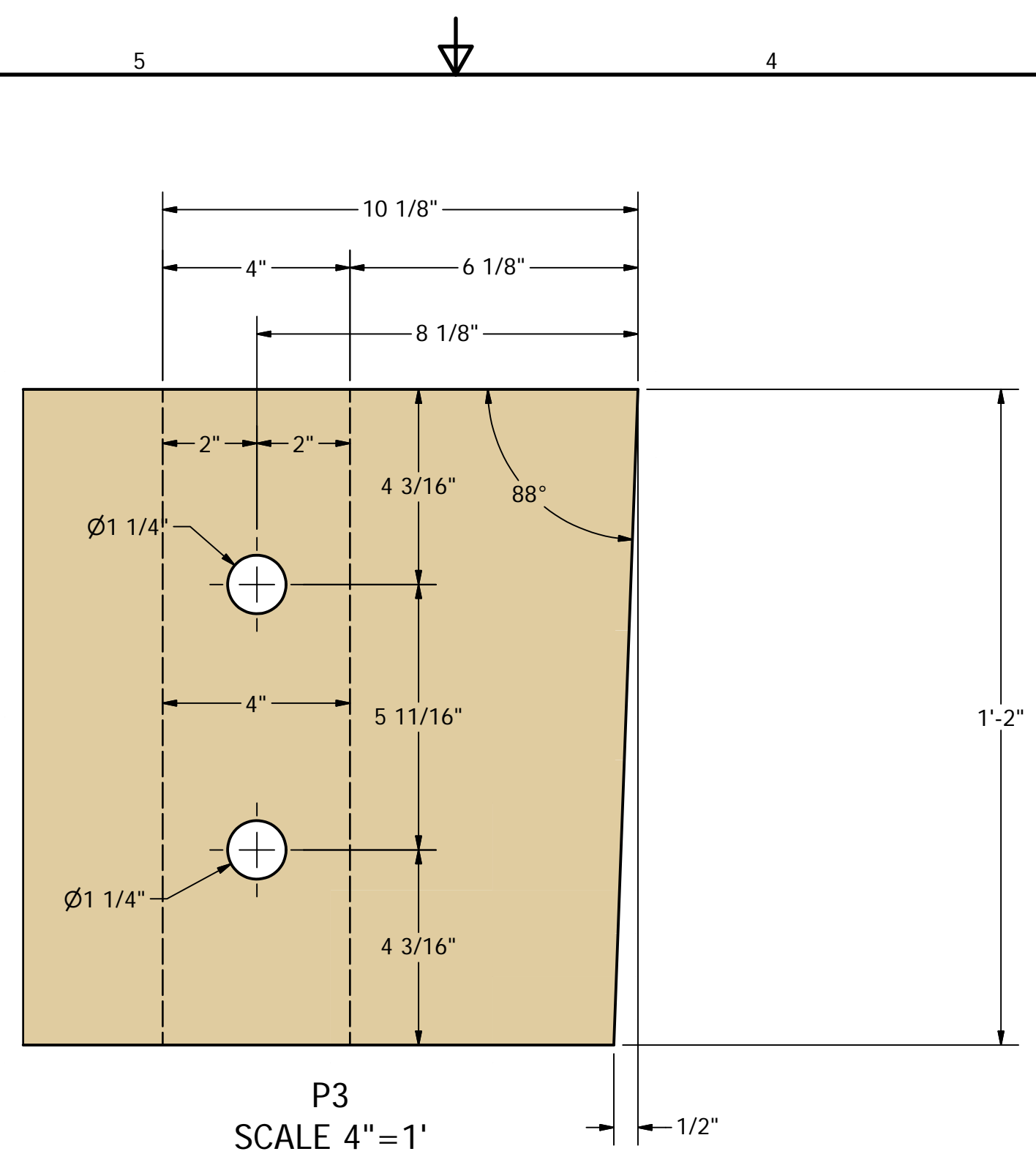
SKETCH
SCALE 2"=1'



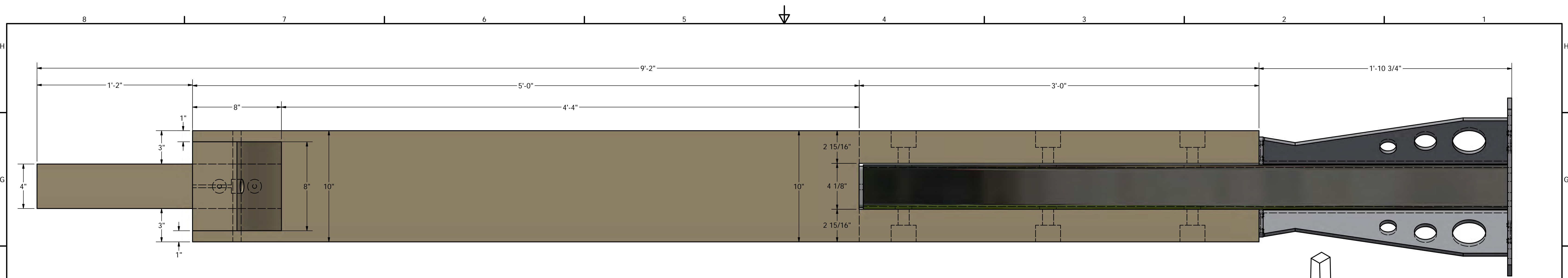
FRONT
SCALE 2"=1'
4 TOTAL



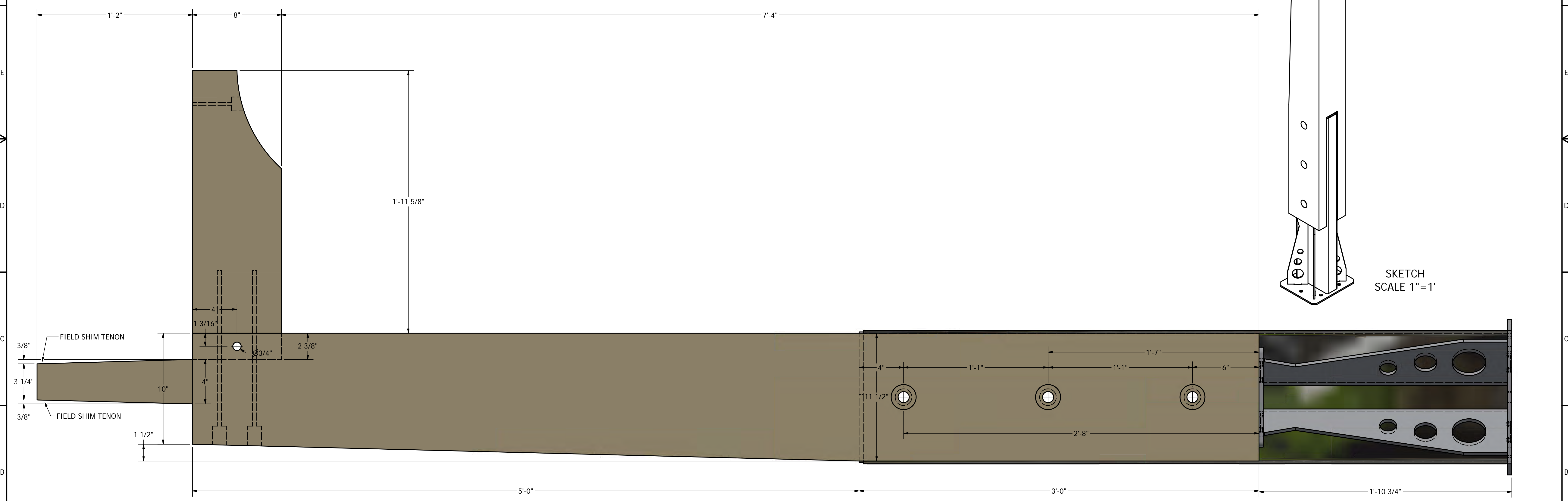
DRAWN	8/7/2023	P2	
slunford		TITLE	
CHECKED		4 TOTAL	
QA		SIZE	DWG NO
MFG		24 x 36 (inches)	PERGOLA
APPROVED		SCALE	REV
		2"=1'	
			SHEET 3 OF 24



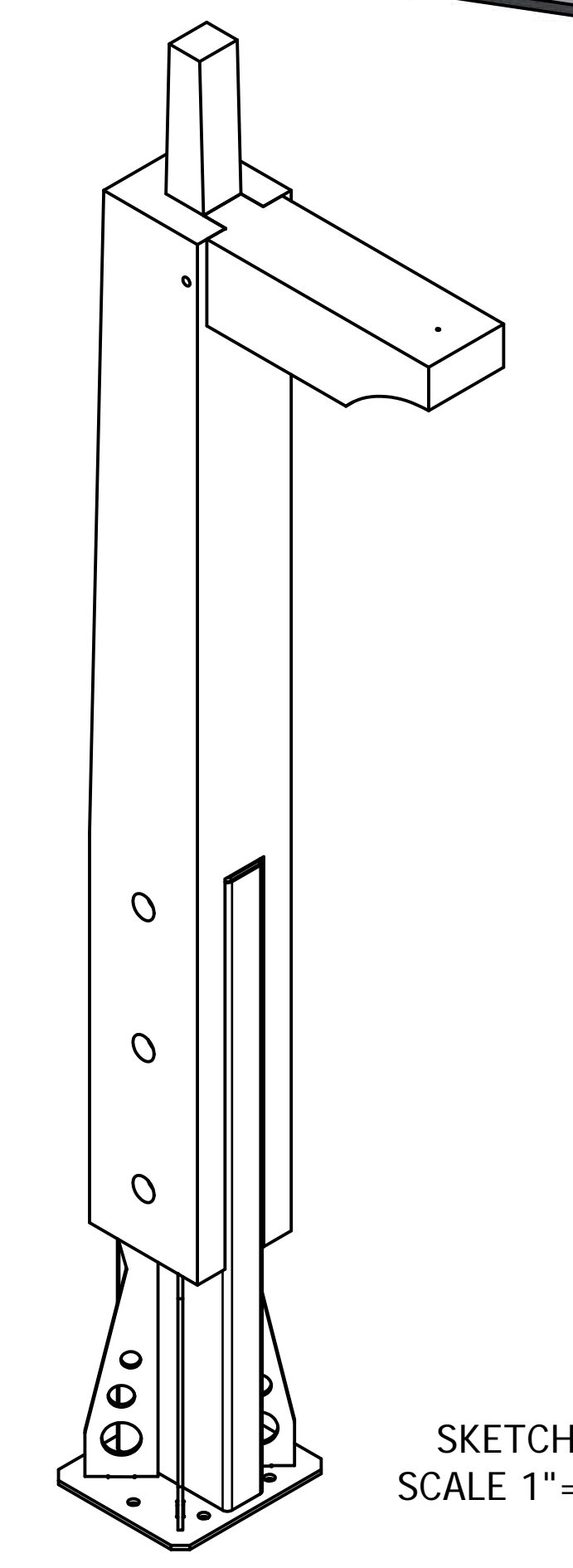
DRAWN	slunford	8/7/2023	P3		
CHECKED			TITLE		
QA			2 TOTAL		
MFG					
APPROVED					
		SIZE	DWG NO	REV	
		24 x 36 (inches)	PERGOLA		
		SCALE	2"=1'		SHEET 4 OF 24



INTERIOR SIDE
SCALE 3" = 1'

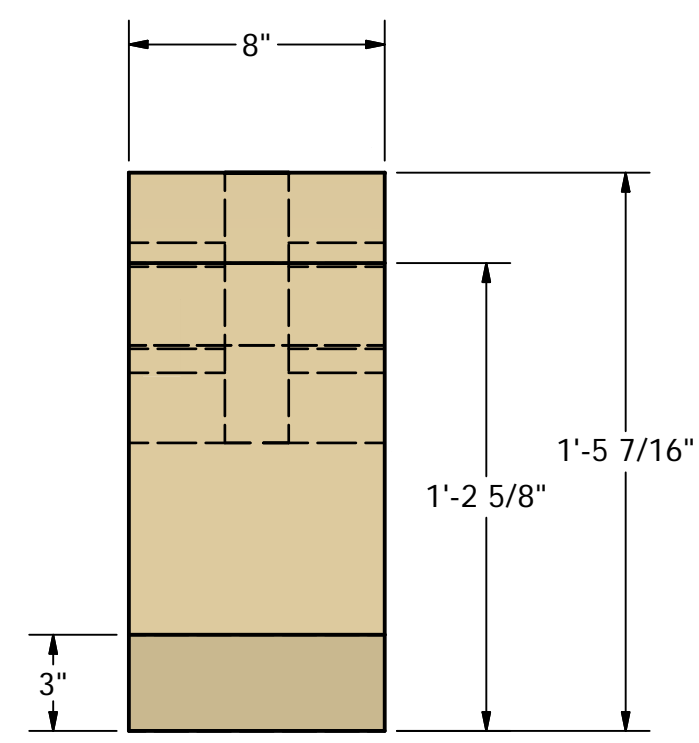


FRONT
SCALE 3" = 1'

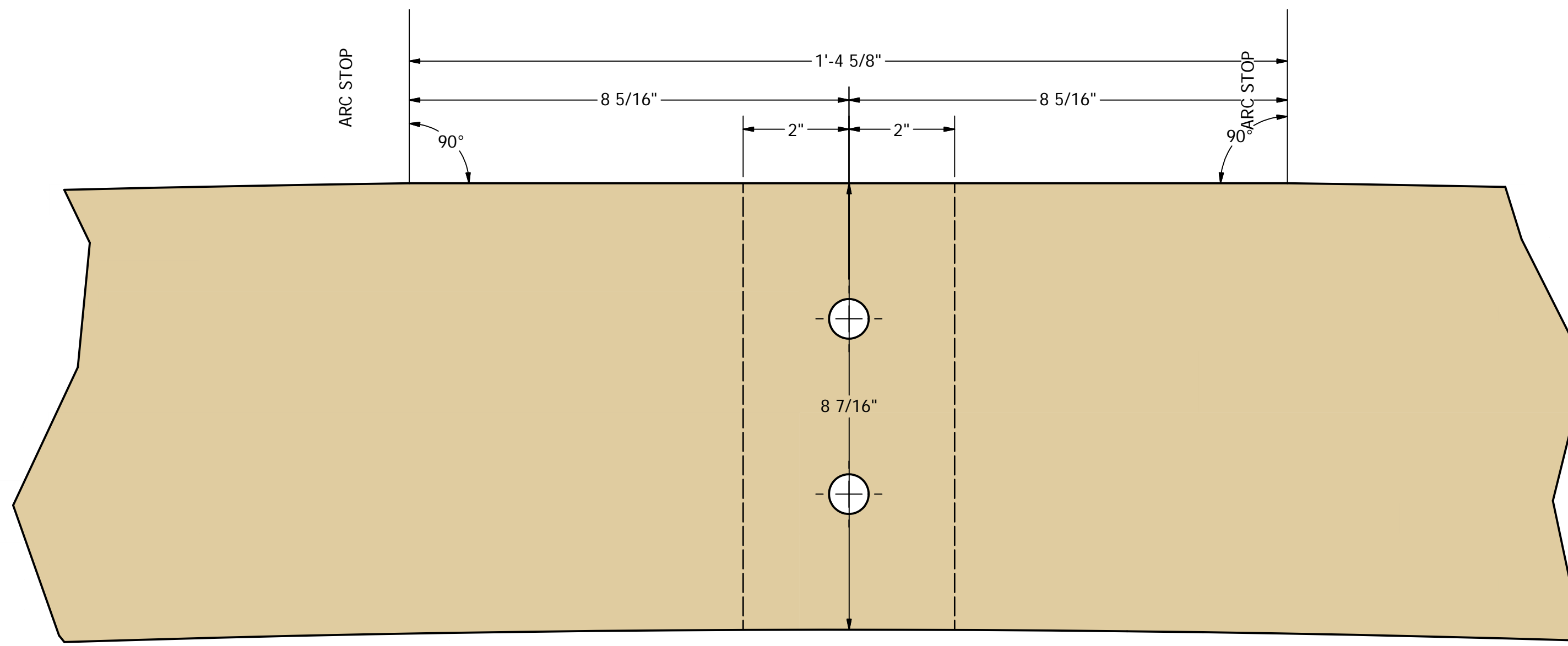


SKETCH
SCALE 1" = 1'

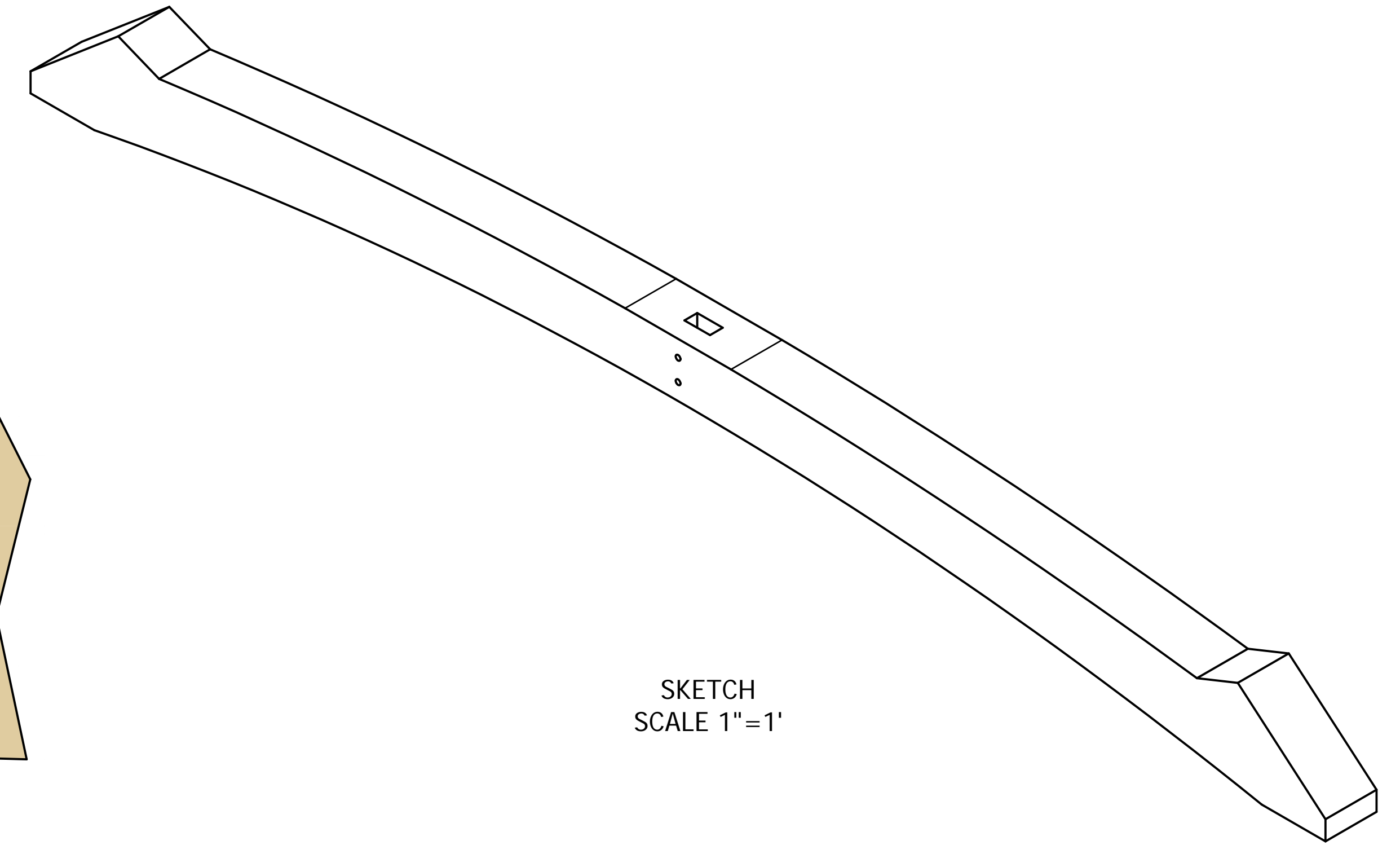
DRAWN slunford	8/7/2023	END TRUSS		
CHECKED		TITLE		
QA		4 TOTAL		
MFG				
APPROVED				
		SIZE	DWG NO	REV
		24 x 36 (inches)	PERGOLA	
		SCALE	3" = 1'	SHEET 5 OF 24



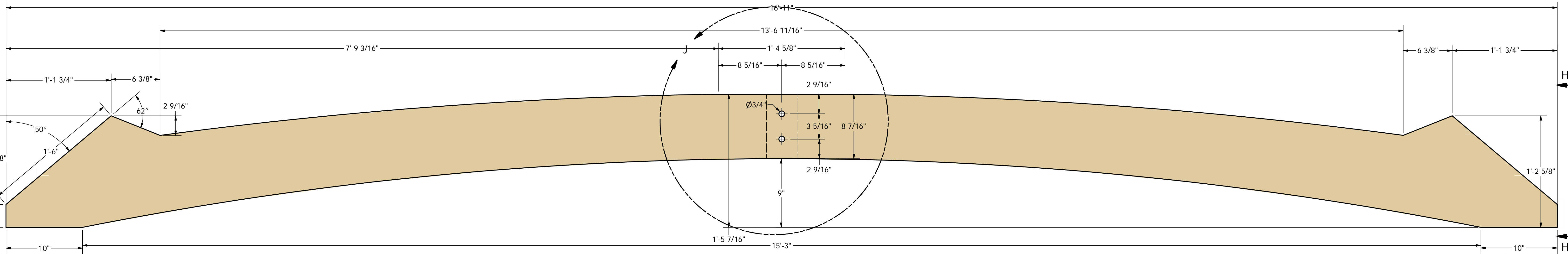
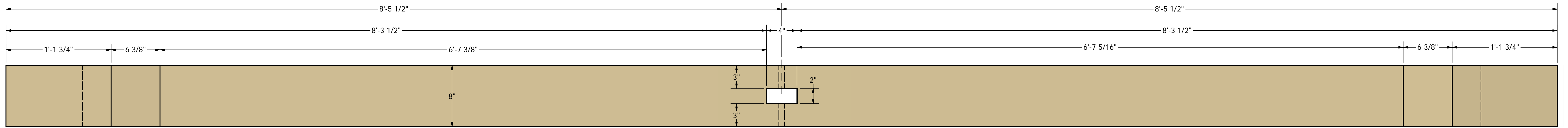
VIEW H-H
SCALE 2"=1'



DETAIL J
SCALE 1 / 2

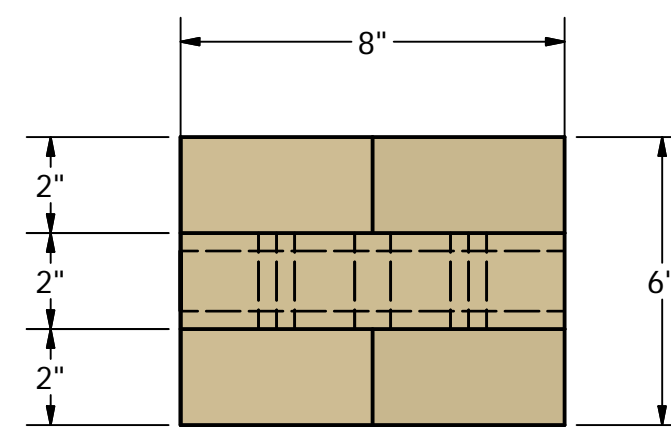


SKETCH
SCALE 1"=1'

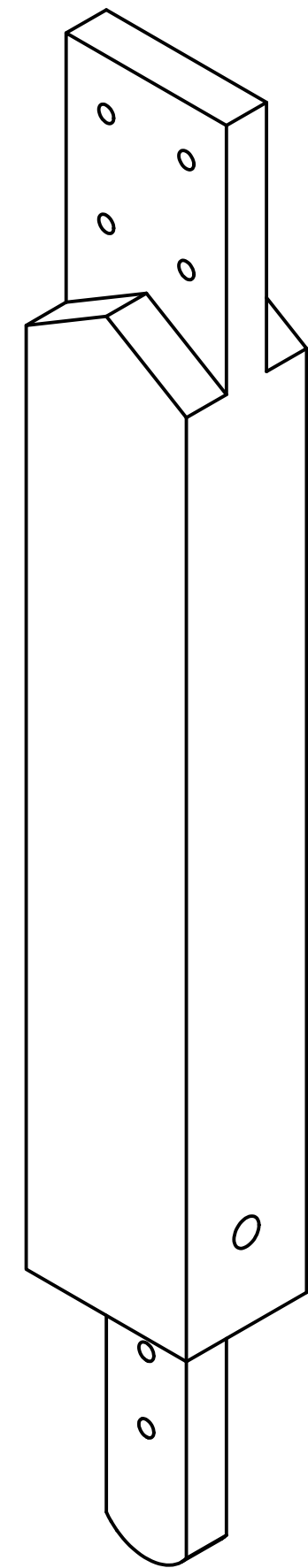


FRONT
SCALE 2"=1'

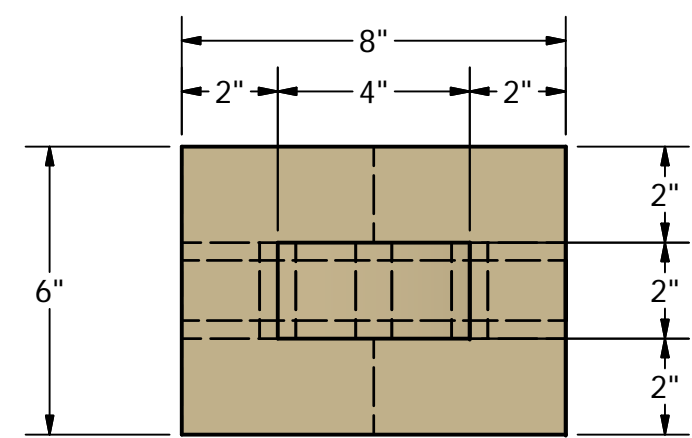
DRAWN	slunsford	8/7/2023	P11		
CHECKED			TITLE 3 TOTAL		
QA					
MFG					
APPROVED					
			SIZE	DWG NO	REV
			24 x 36 (inches)	PERGOLA	
			SCALE	2"=1'	SHEET 8 OF 24



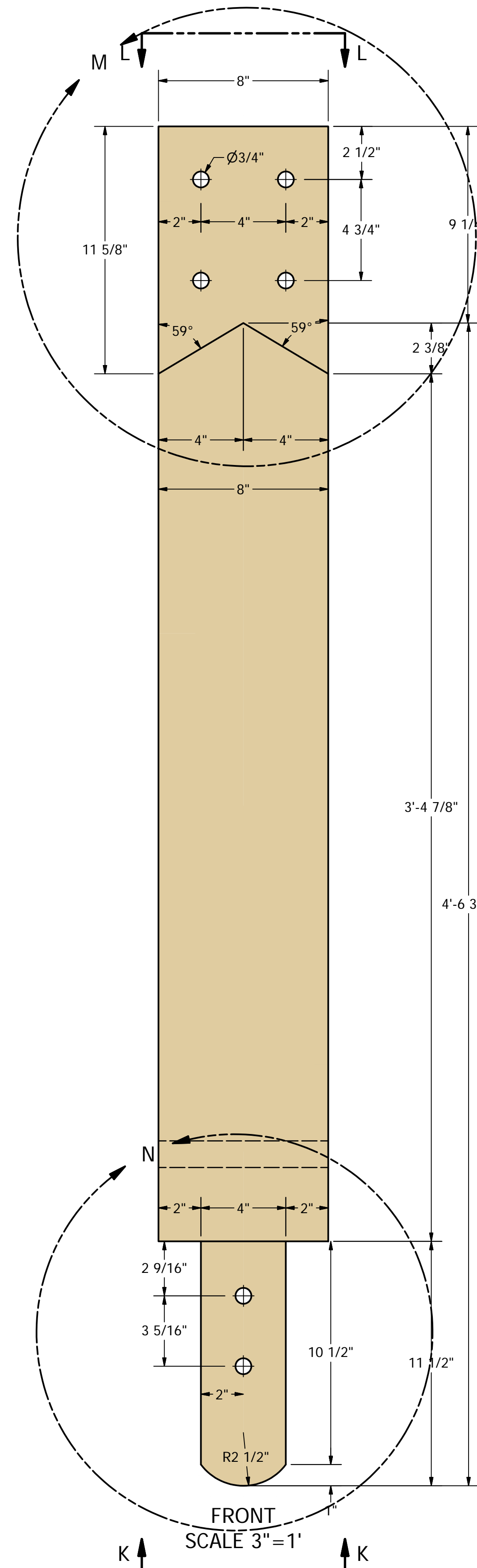
VIEW L-L
SCALE 3"=1'



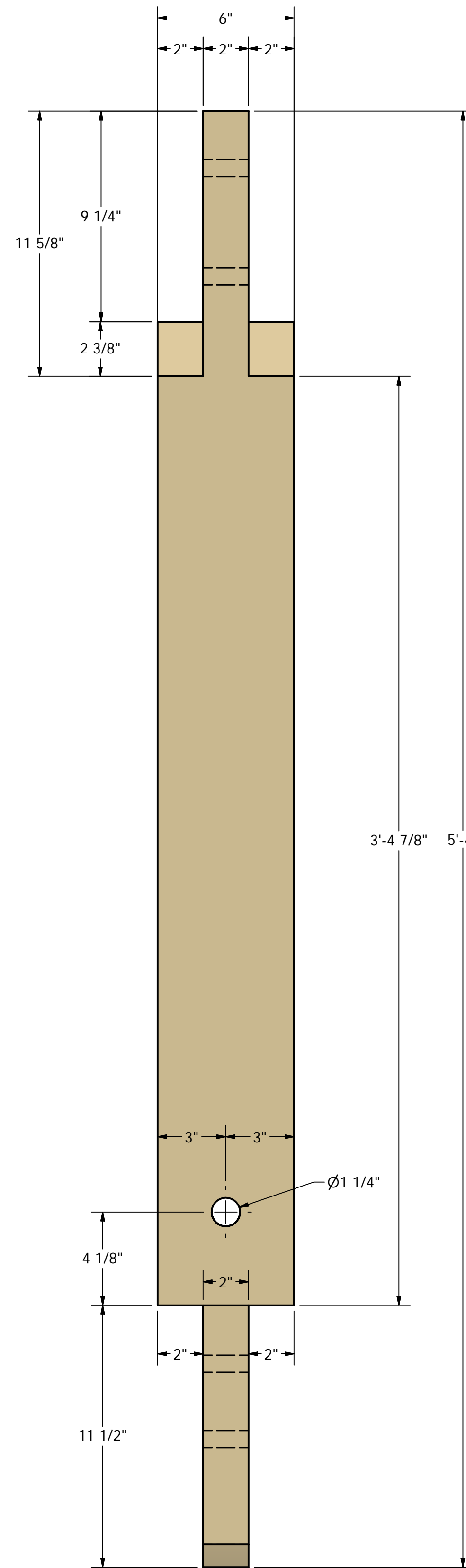
SKETCH
SCALE 2"=1'



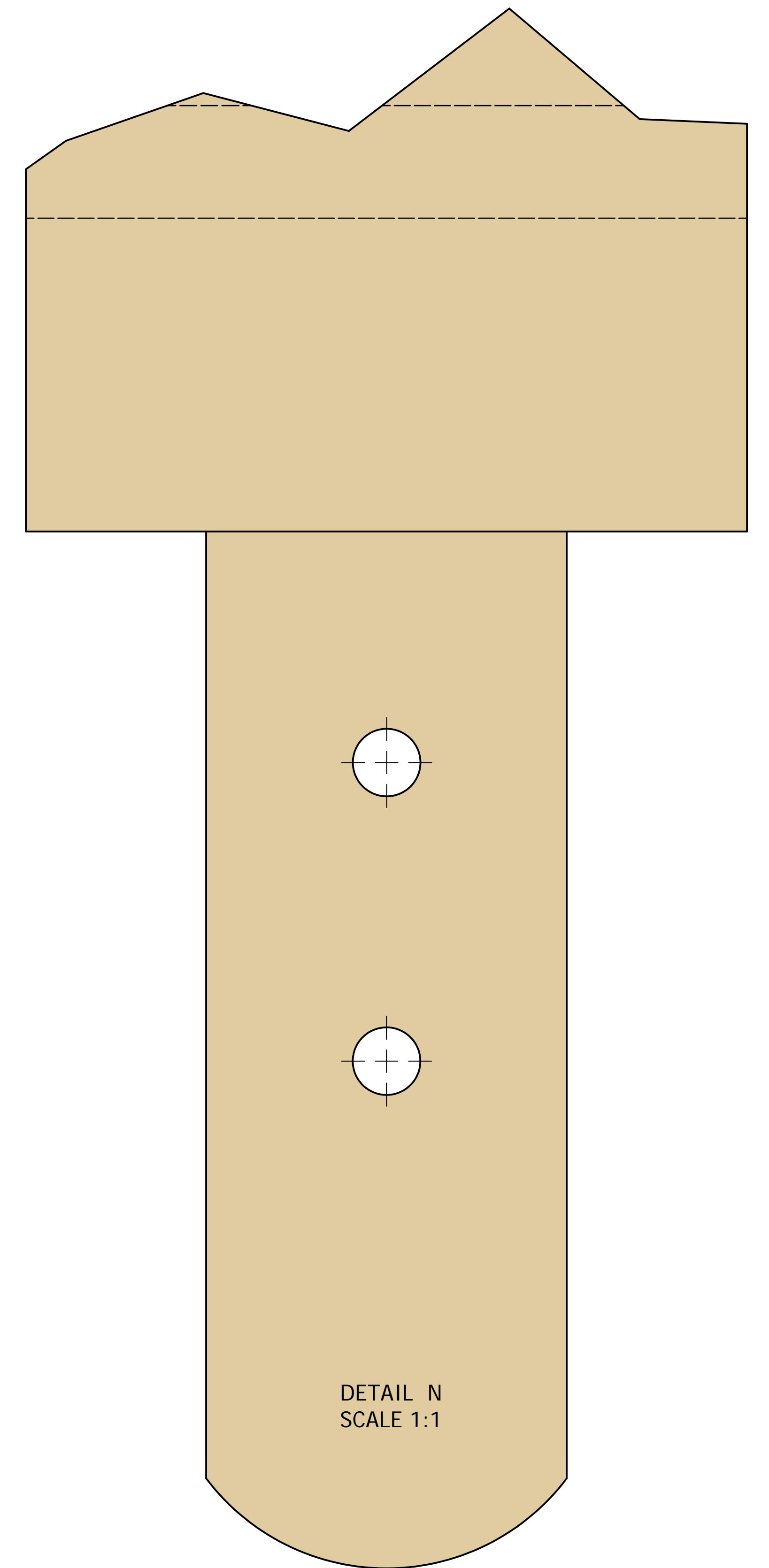
VIEW K-K
SCALE 3"=1'



FRONT
SCALE 3"=1'

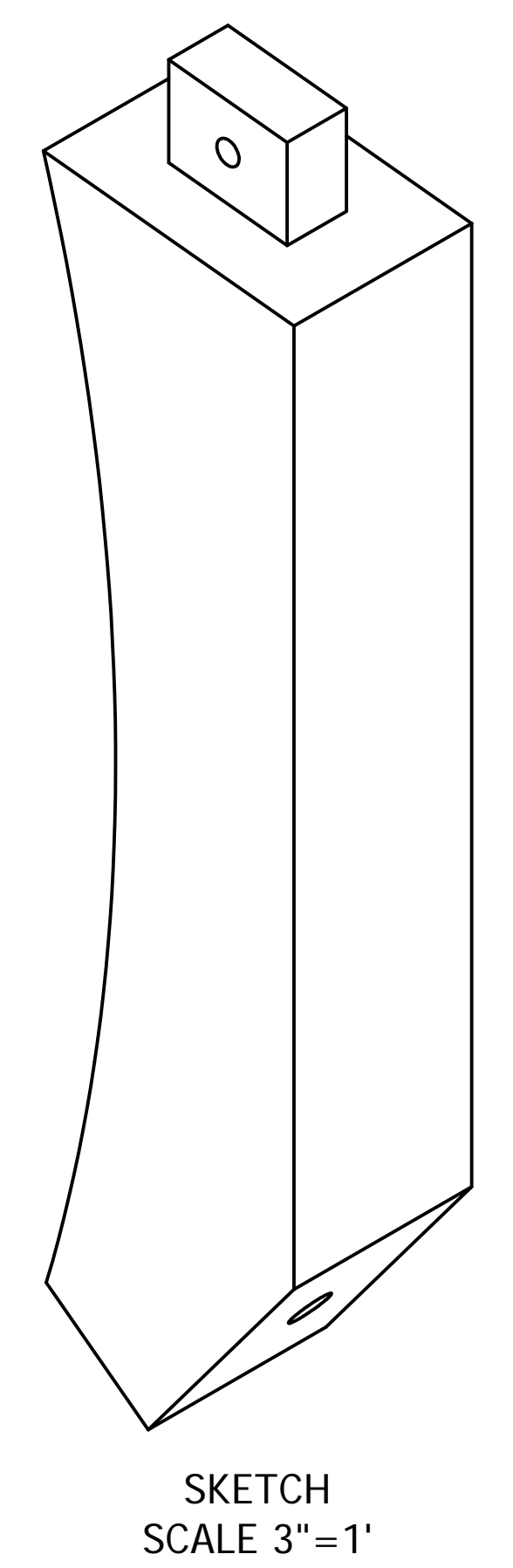
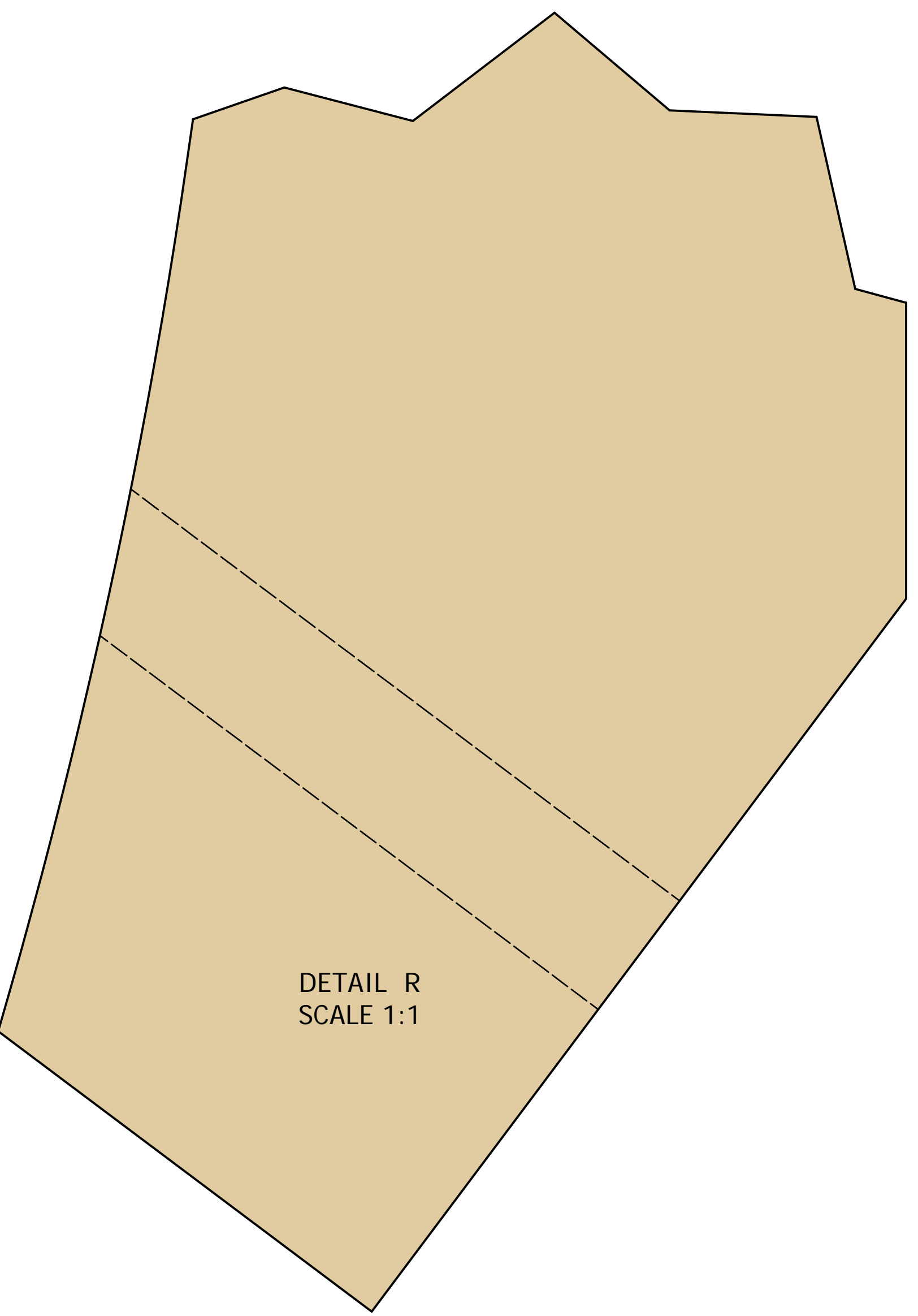
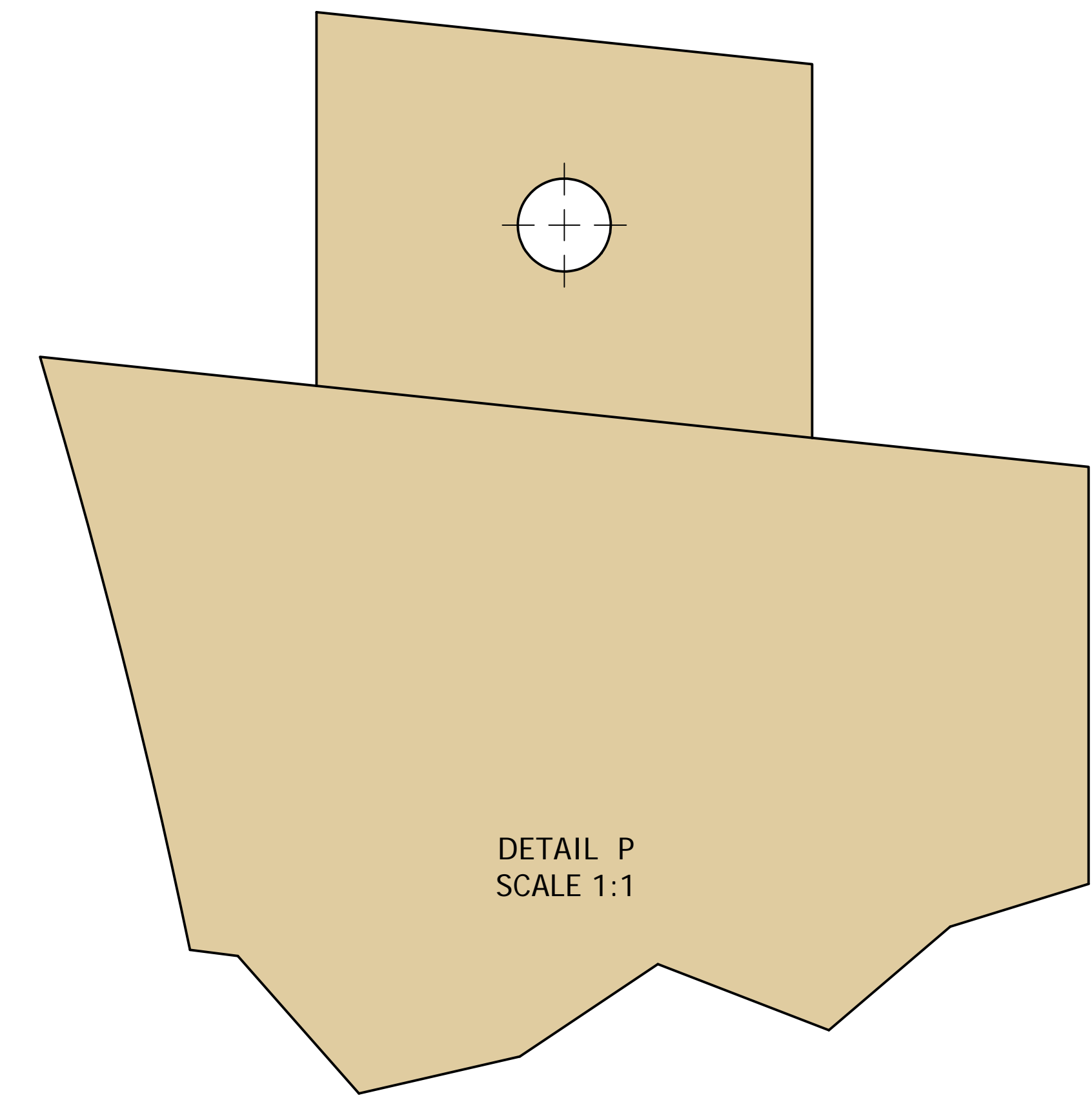
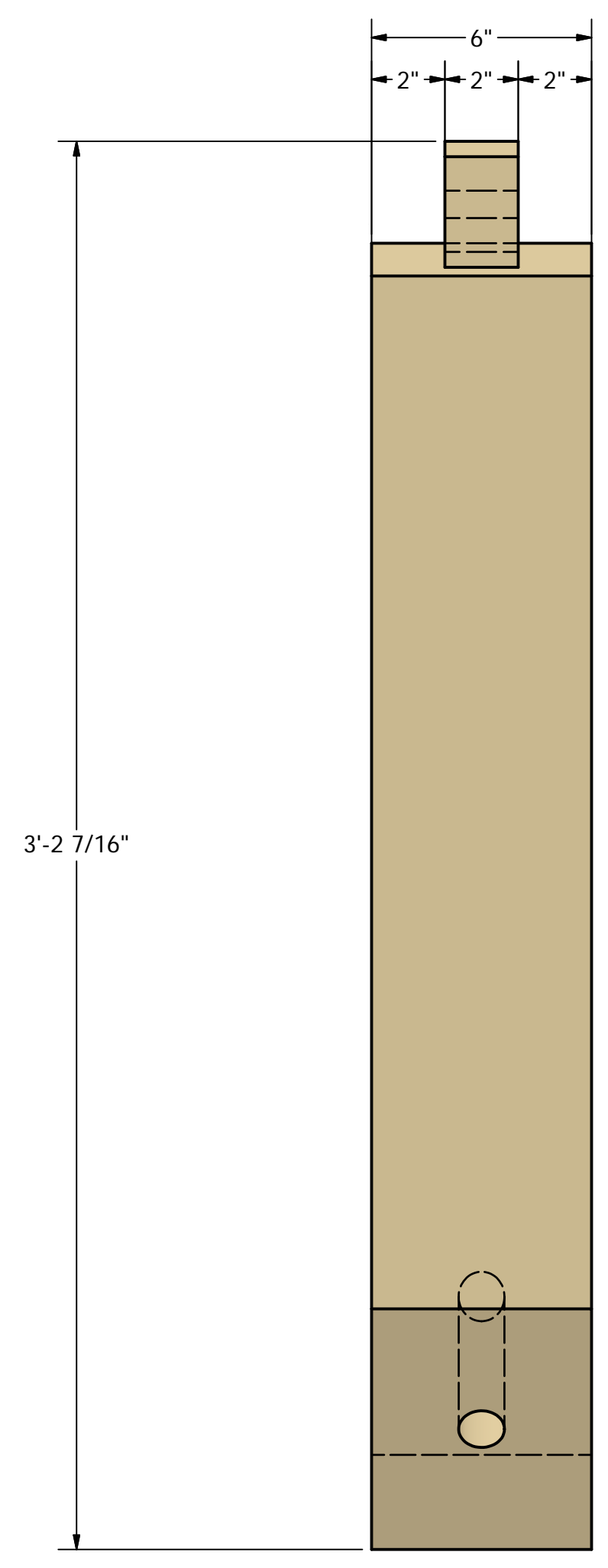
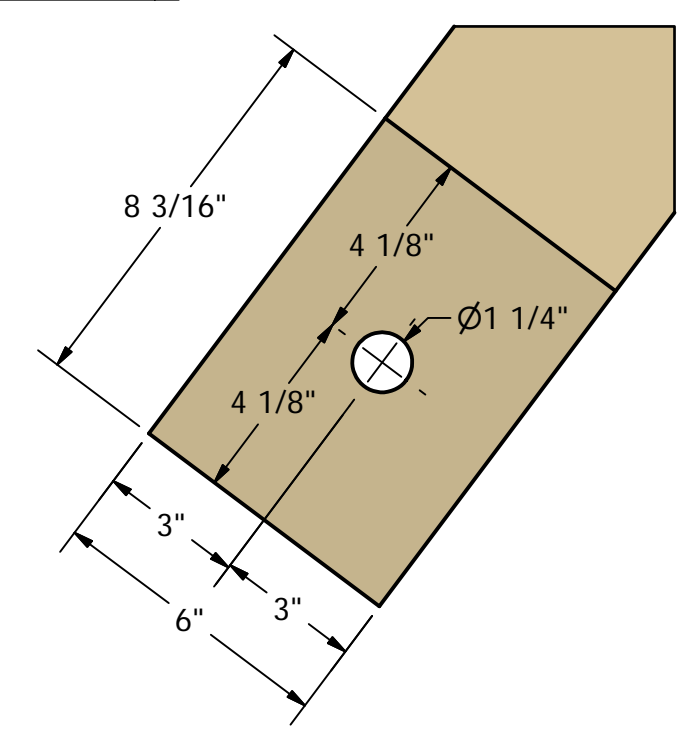
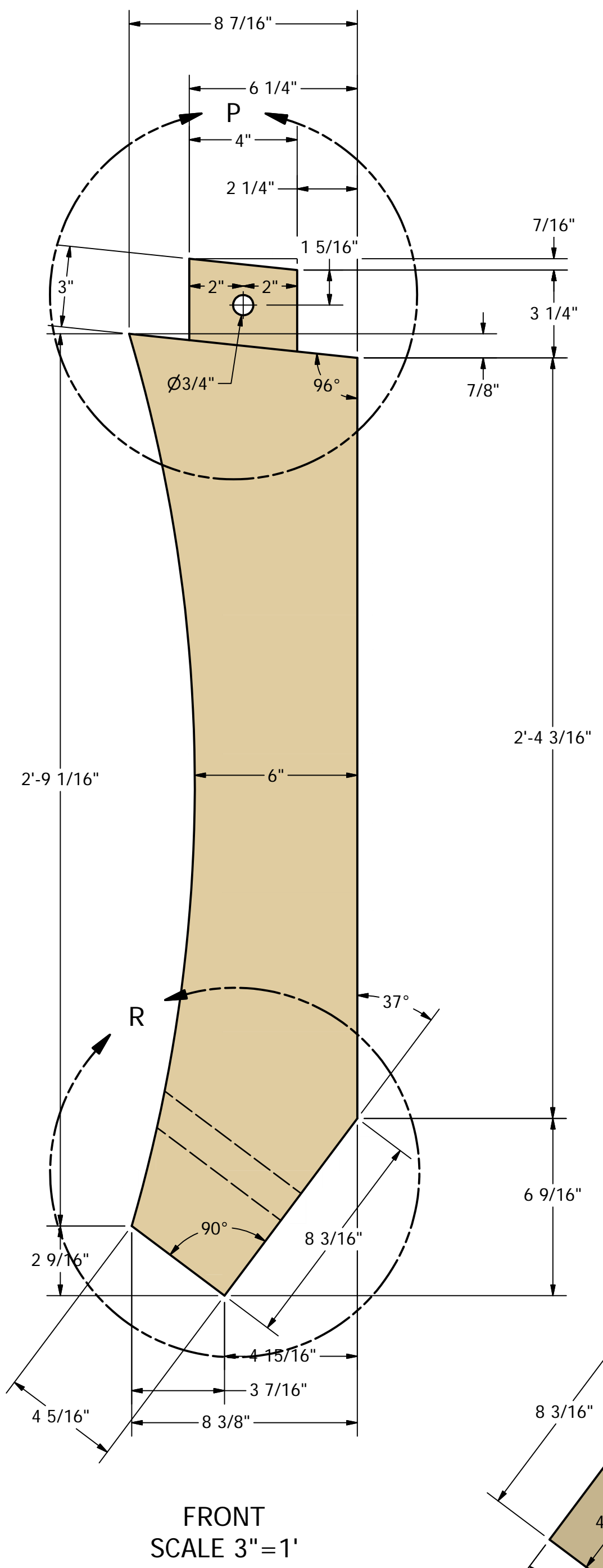
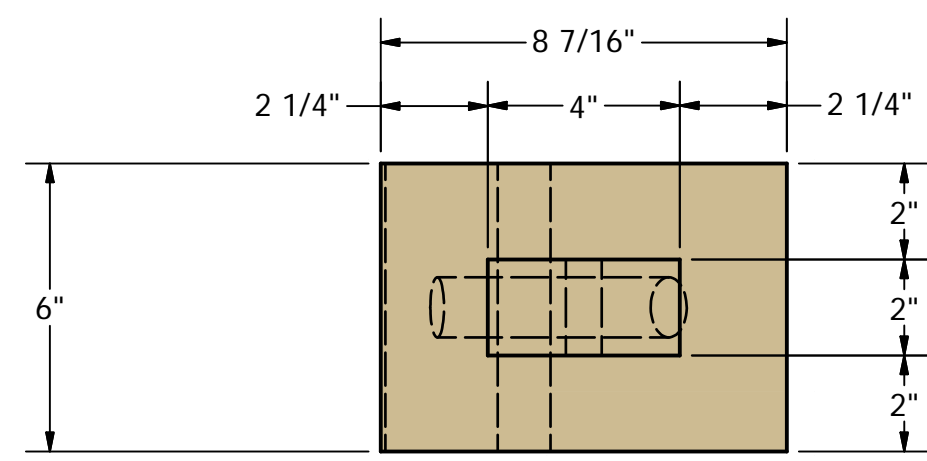


DETAIL M
SCALE 1:1

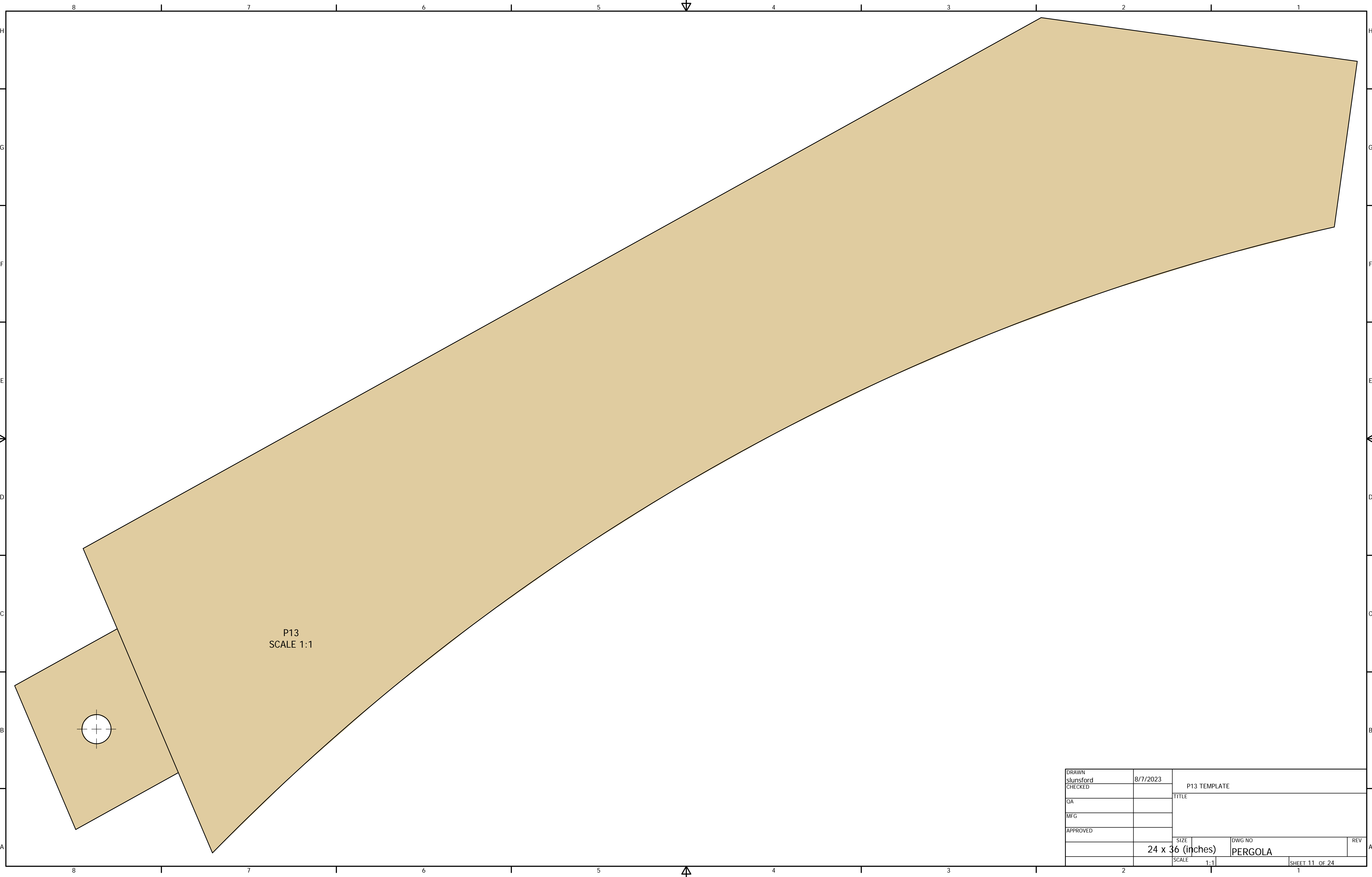


DETAIL N
SCALE 1:1

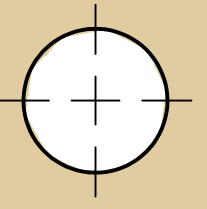
DRAWN	slunford	8/7/2023	P12		
CHECKED			TITLE		
QA			3 TOTAL		
MFG					
APPROVED					
			SIZE	DWG NO	REV
			24 x 36 (inches)	PERGOLA	
			SCALE	3"=1'	SHEET 9 OF 24



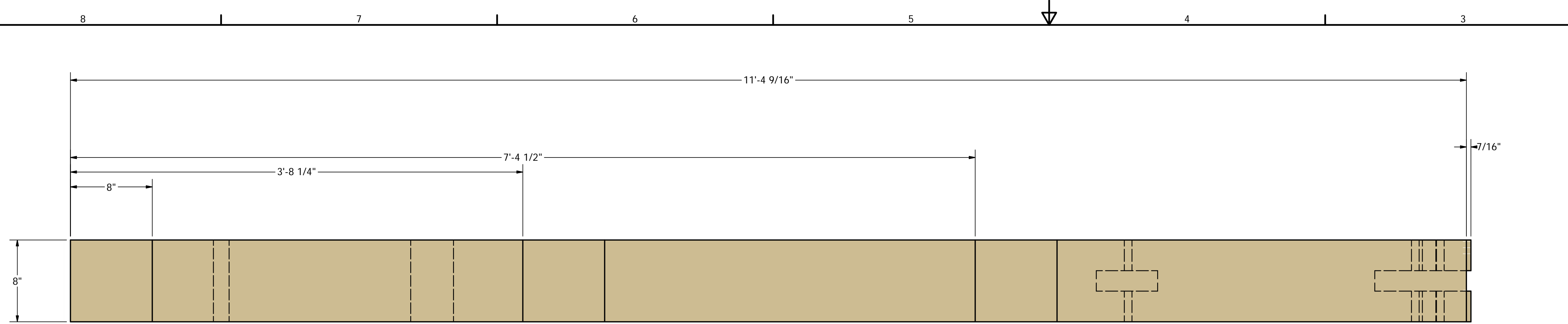
DRAWN	slunsford	8/7/2023	P13		
CHECKED			TITLE		
QA			6 TOTAL		
MFG					
APPROVED					
			SIZE	DWG NO	REV
			24 x 36 (inches)	PERGOLA	
			SCALE	3"=1'	SHEET 10 OF 24



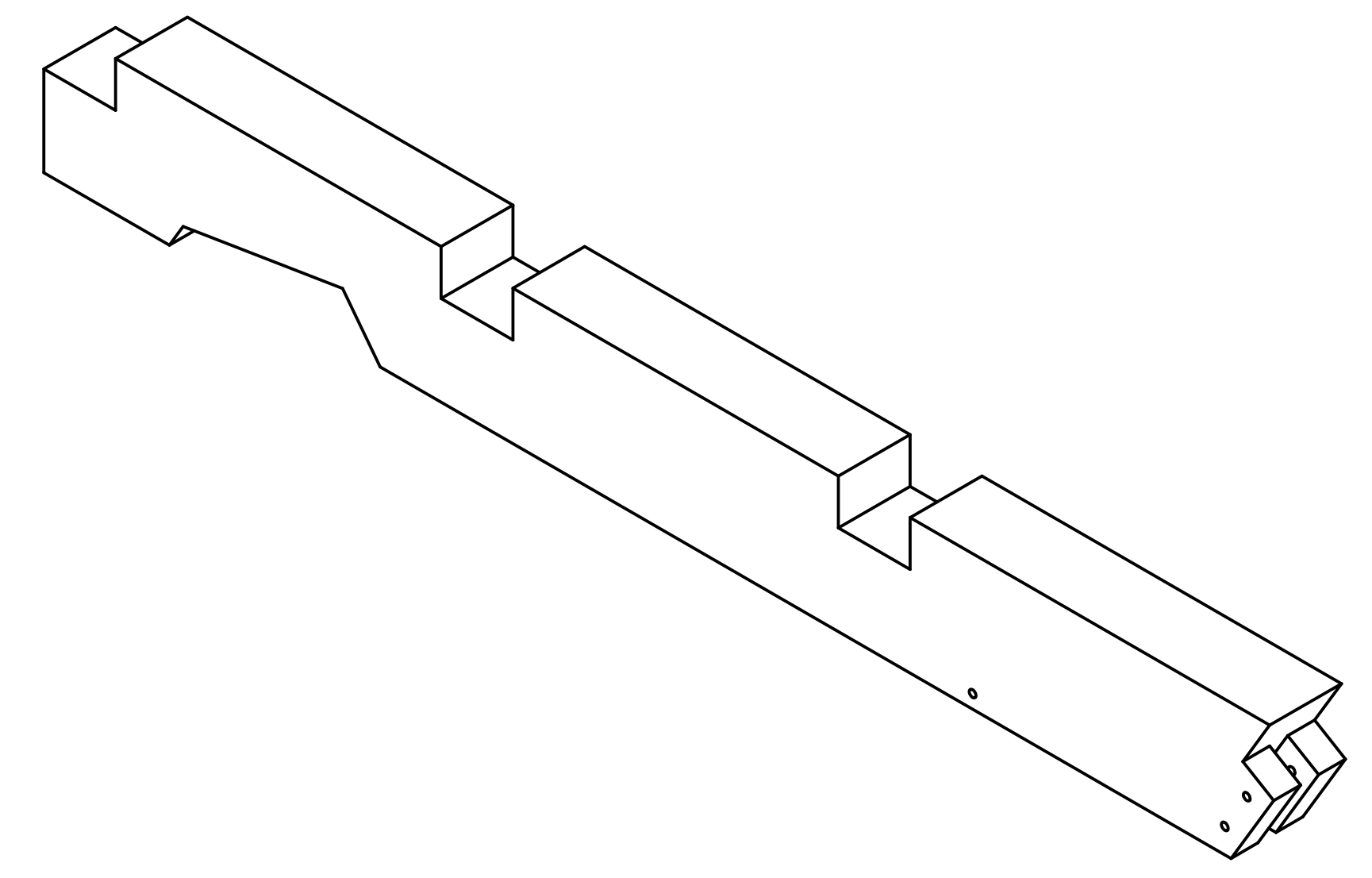
P13
SCALE 1:1



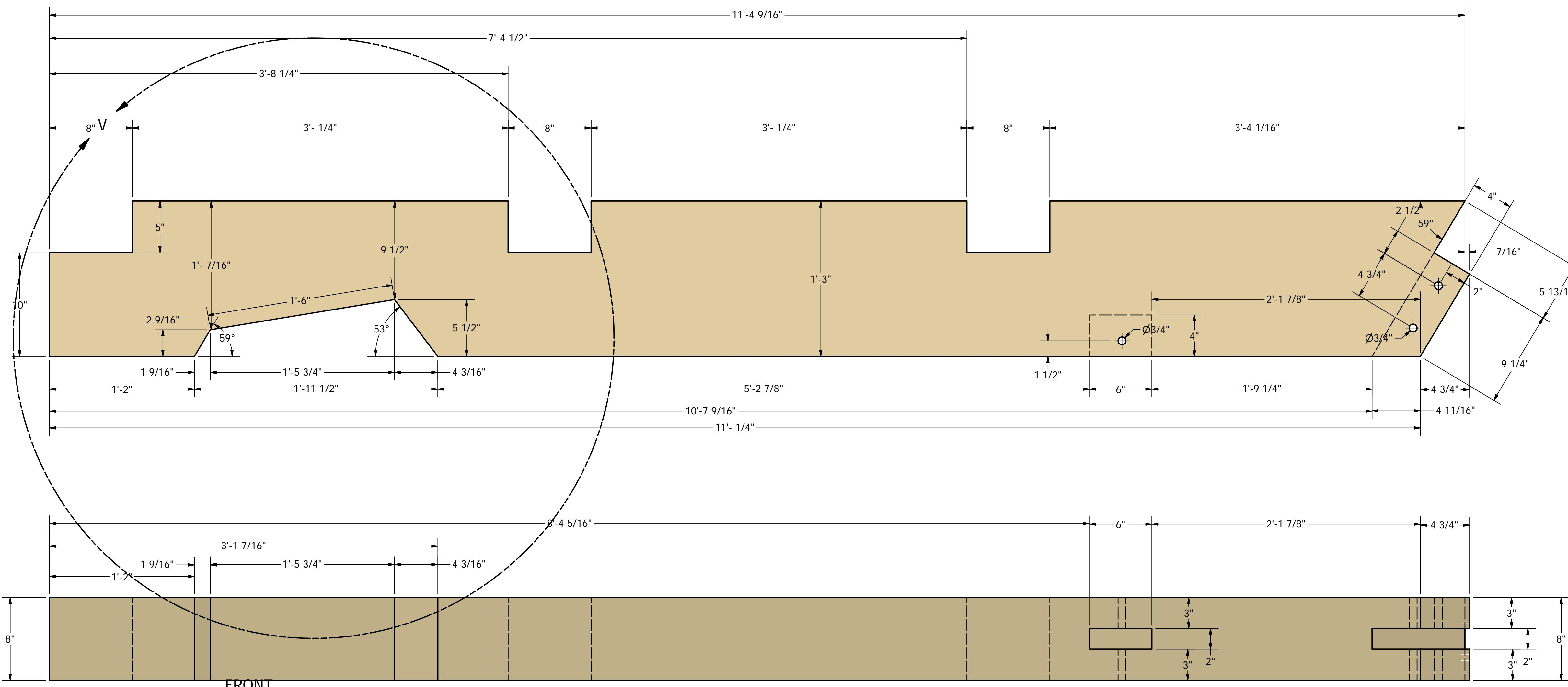
DRAWN	8/7/2023	P13 TEMPLATE		
slunsford		TITLE		
CHECKED				
QA				
MFG				
APPROVED				
	24 x 36 (inches)	SIZE	DWG NO	REV
	SCALE 1:1		PERGOLA	
				SHEET 11 OF 24



TOP
SCALE 2"=1'

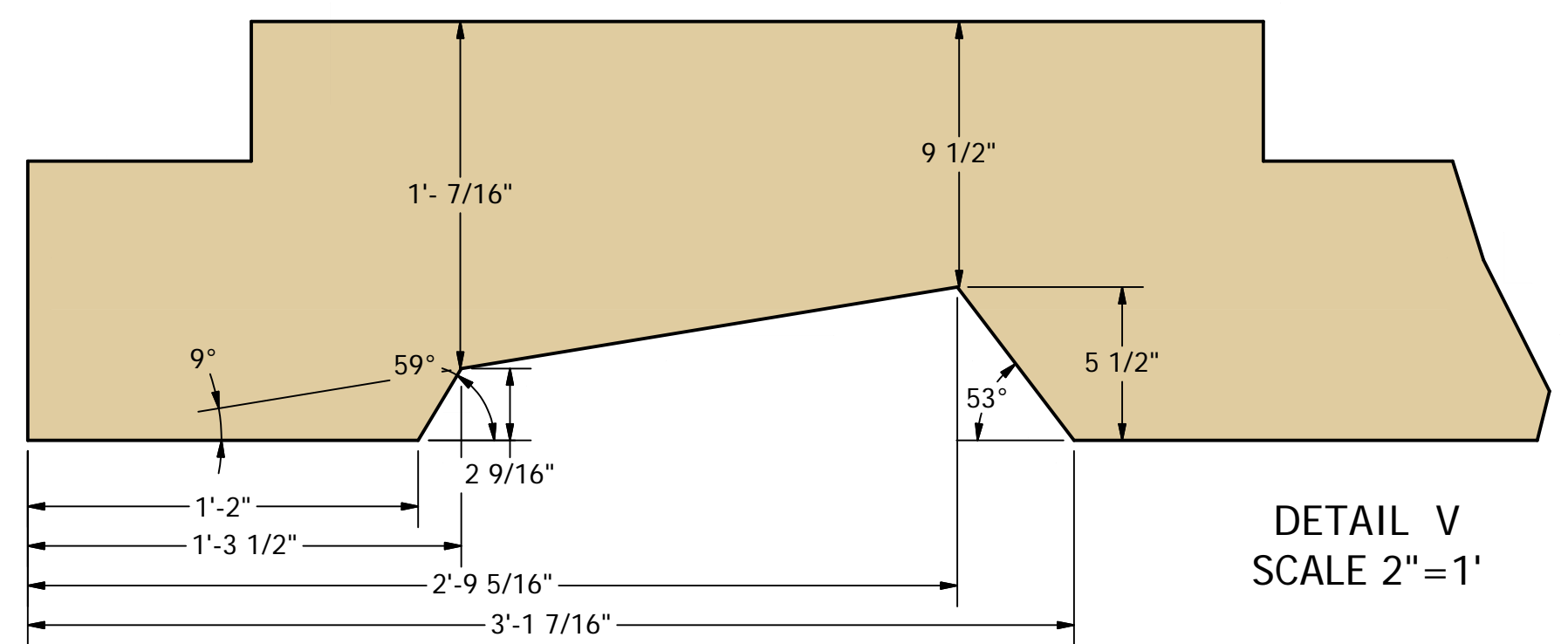


SKETCH
SCALE 1"=1'

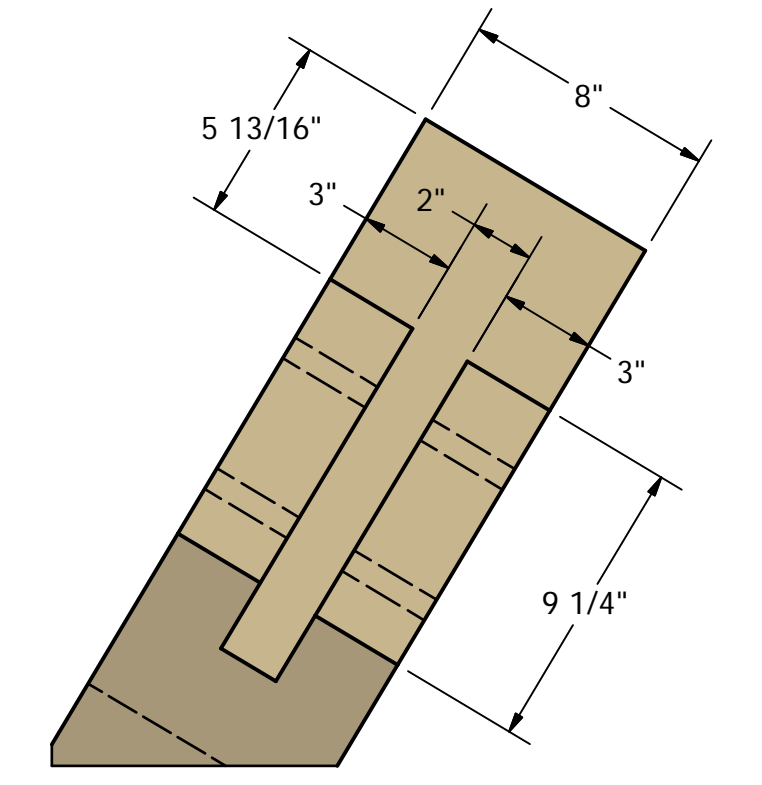


FRONT
SCALE 2"=1'

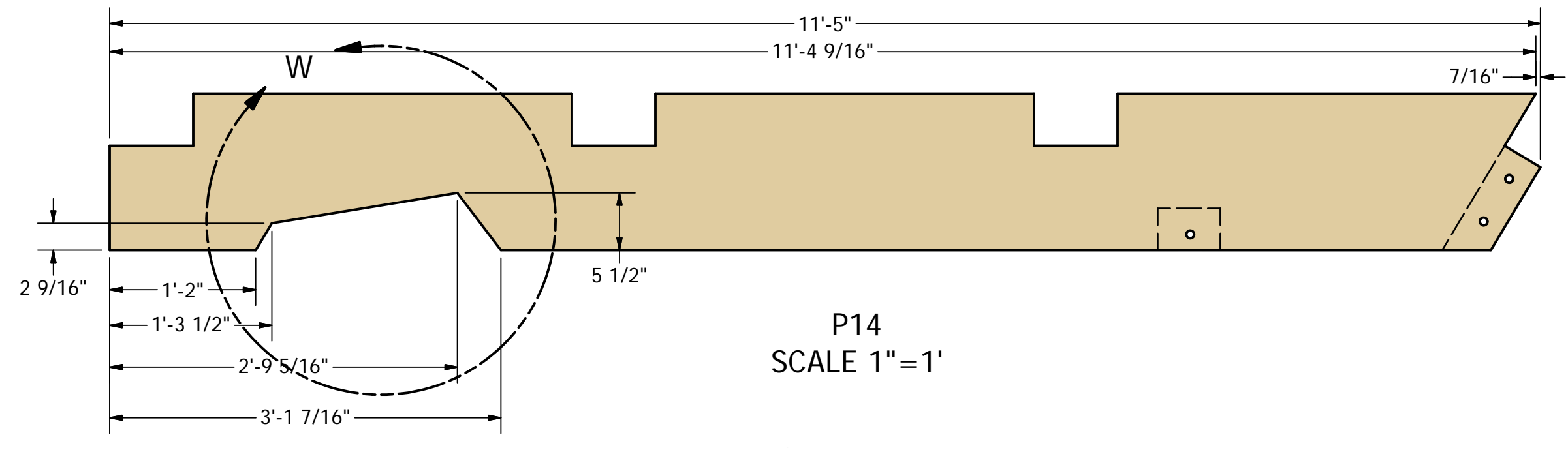
BOTTOM
SCALE 2"=1'



DETAIL V
SCALE 2"=1'



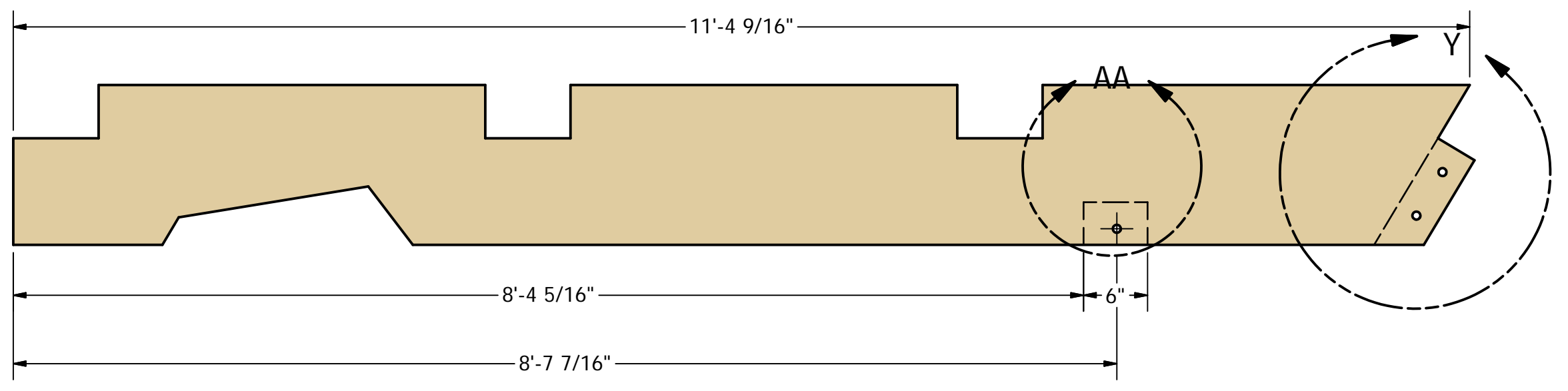
DRAWN	slunford	8/7/2023	P14		
CHECKED			TITLE		
QA			6 TOTAL		
MFG					
APPROVED					
			SIZE	DWG NO	REV
			24 x 36 (inches)	PERGOLA	
			SCALE	2"=1'	SHEET 12 OF 24



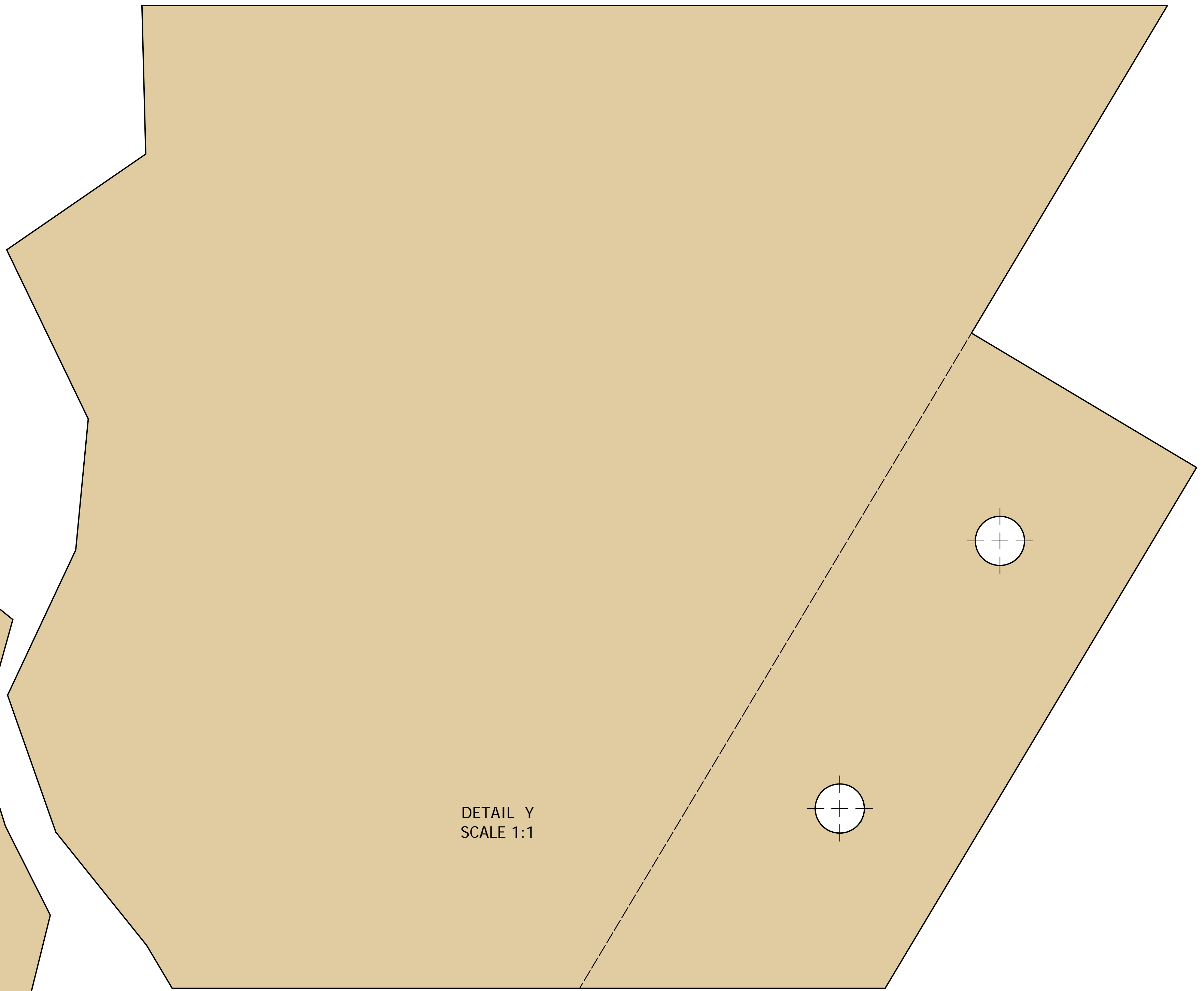
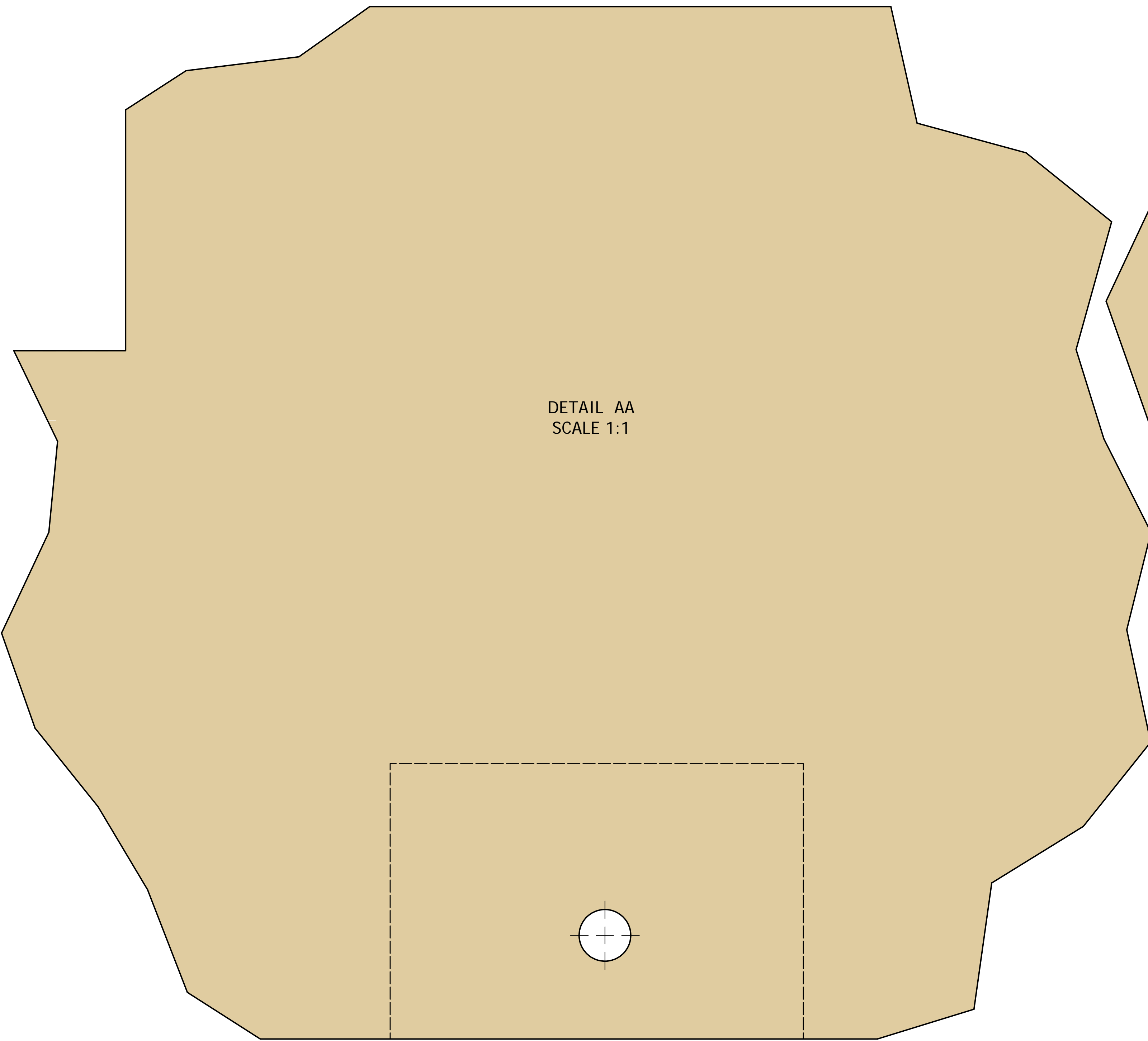
P14
SCALE 1"=1'

DETAIL W
SCALE 1:1

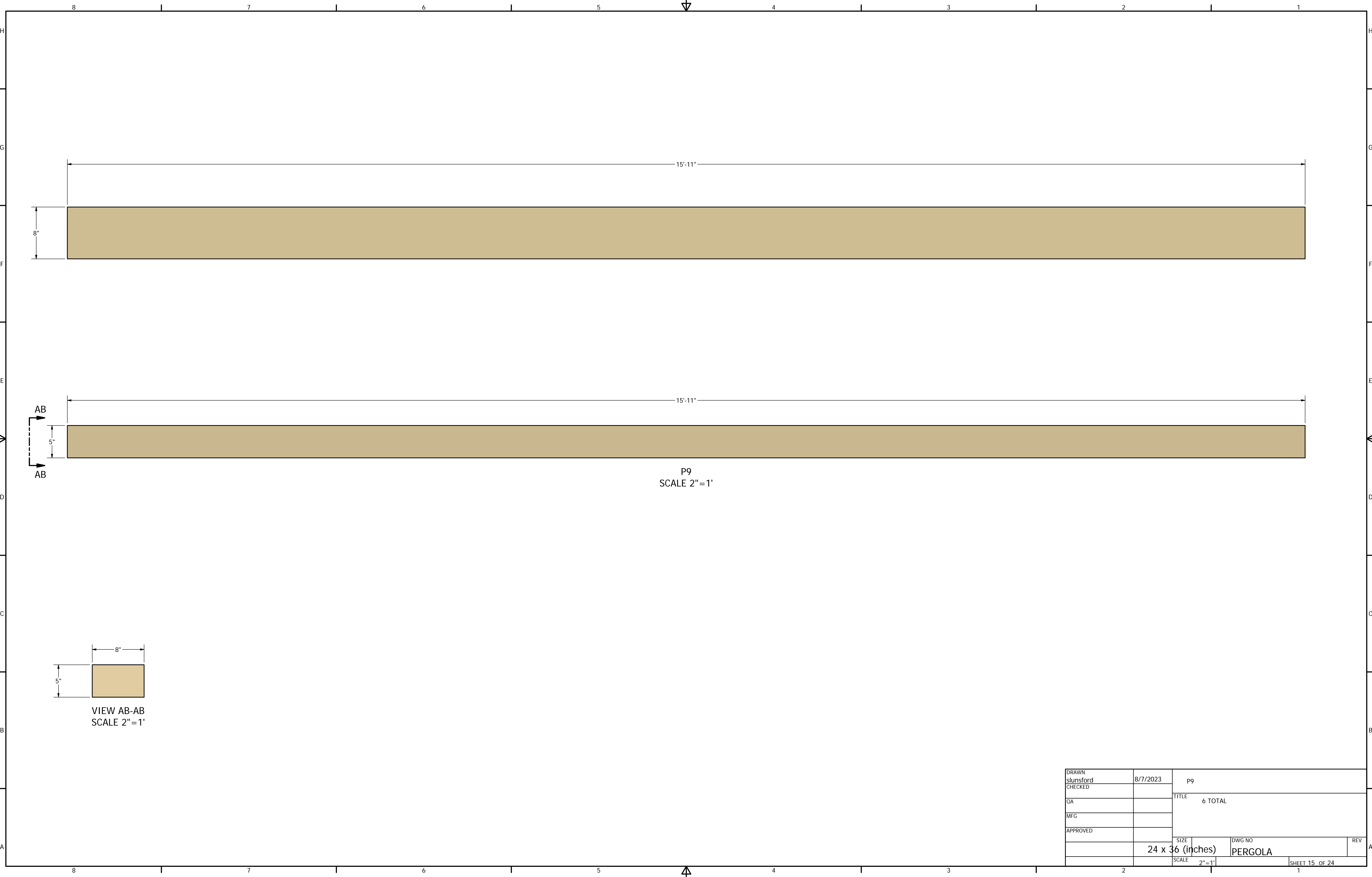
DRAWN	slunsford	8/7/2023	P14 TEMPLATE		
CHECKED			TITLE		
QA			DWG NO		
MFG			REV		
APPROVED			SIZE	PERGOLA	
			24 x 36 (inches)		
			SCALE	1"=1'	SHEET 13 OF 24



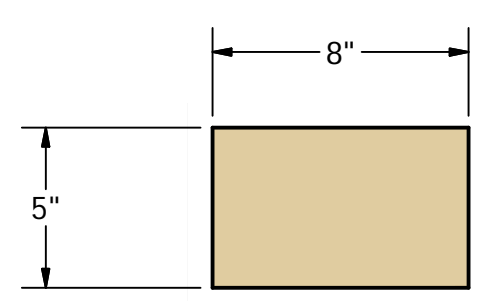
P14
SCALE 1"=1'



DRAWN	slunsford	8/7/2023	P14 TEMPLATE		
CHECKED			TITLE		
QA					
MFG					
APPROVED					
			SIZE	DWG NO	REV
			24 x 36 (inches)	PERGOLA	
			SCALE	1"=1'	SHEET 14 OF 24

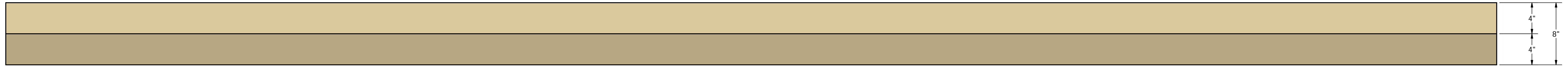


P9
SCALE 2"=1'

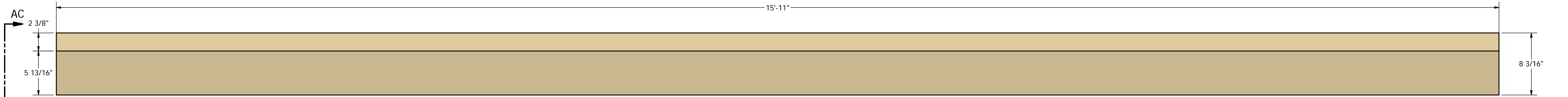


VIEW AB-AB
SCALE 2"=1'

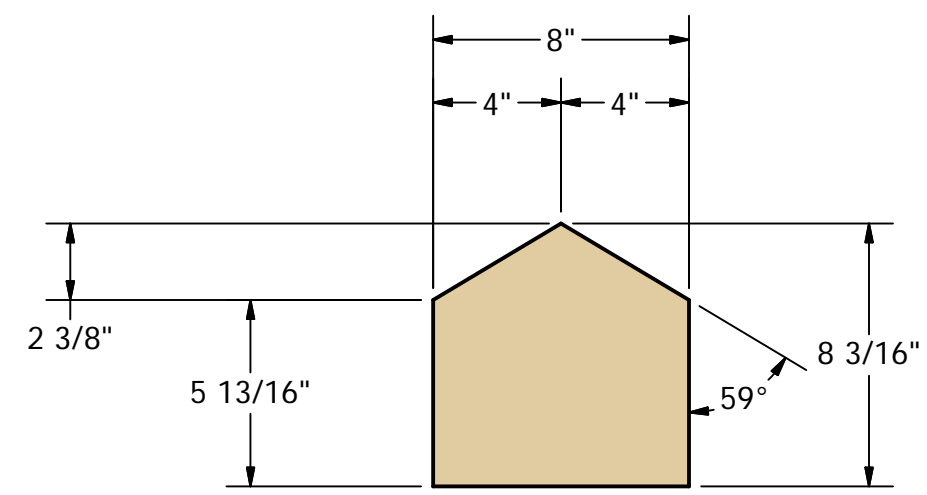
DRAWN	slunsford	8/7/2023	p9	
CHECKED			TITLE 6 TOTAL	
QA				
MFG				
APPROVED				
		SIZE	DWG NO	REV
		24 x 36 (inches)	PERGOLA	
		SCALE	2"=1'	SHEET 15 OF 24



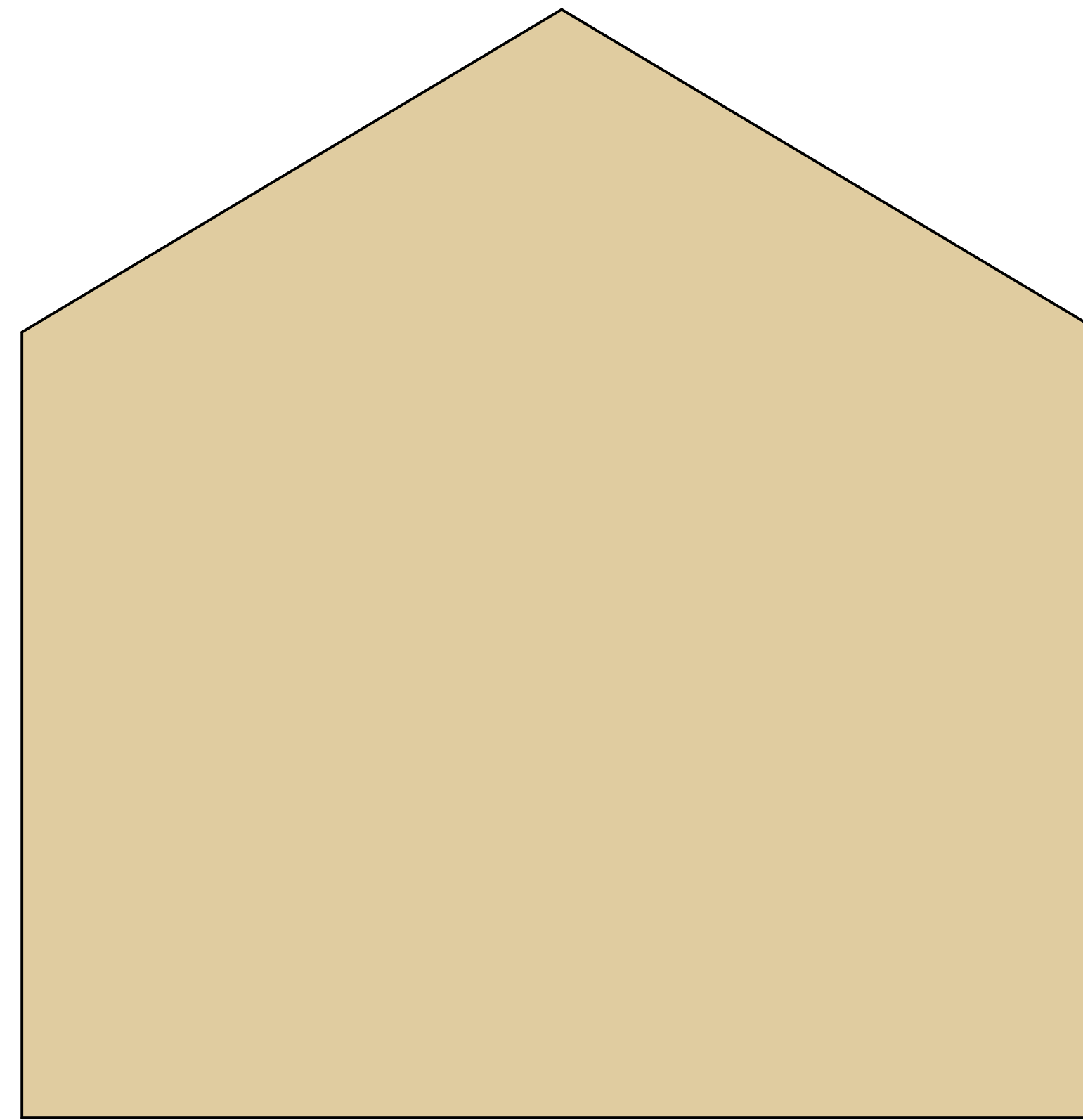
TOP
SCALE 2" = 1'



SIDE
SCALE 2" = 1'

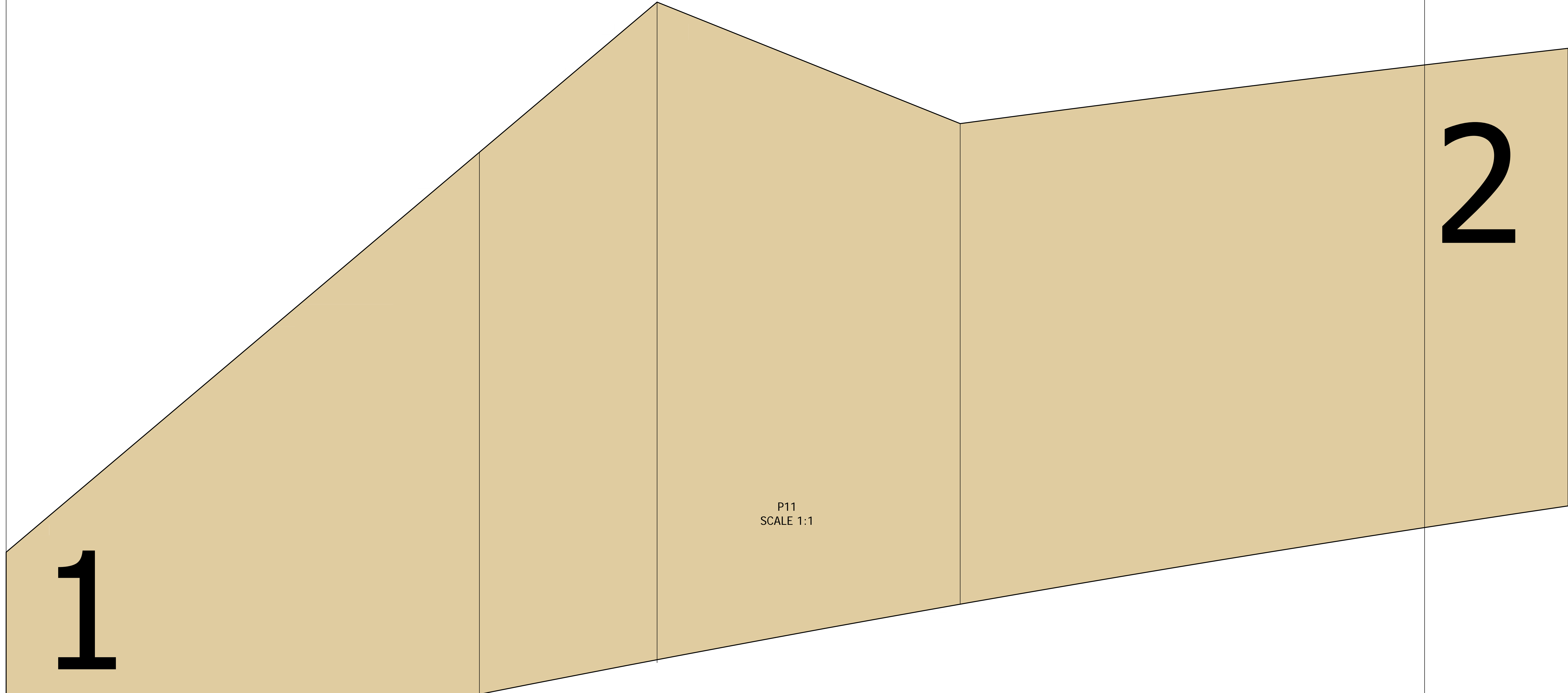
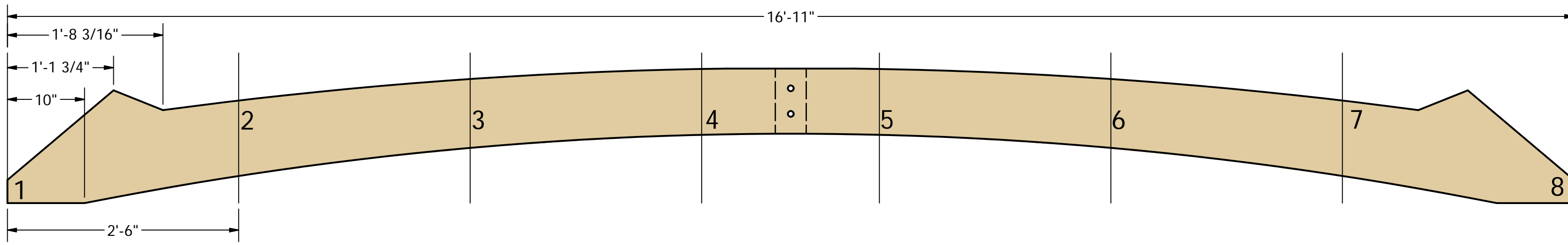


VIEW AC-AC
SCALE 2" = 1'



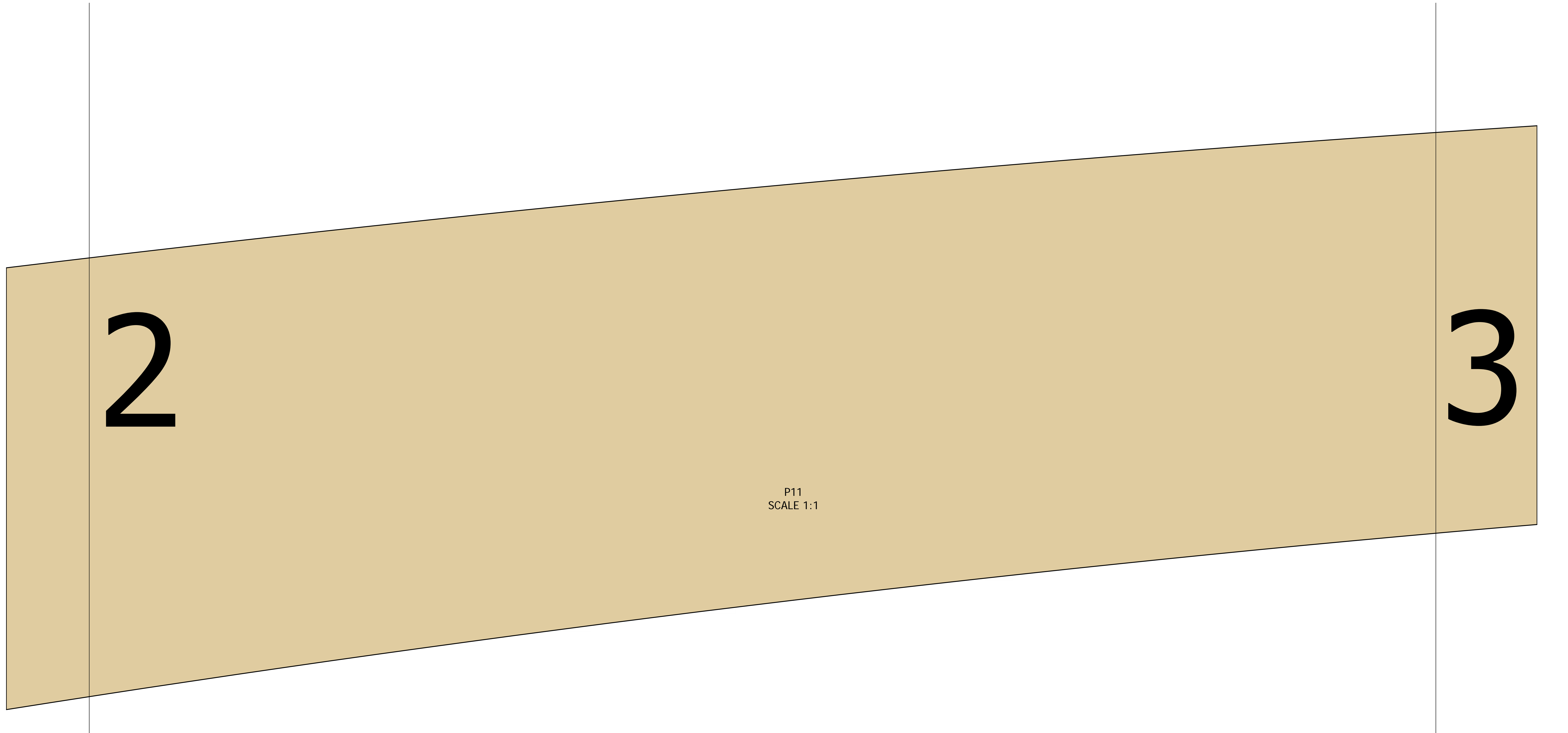
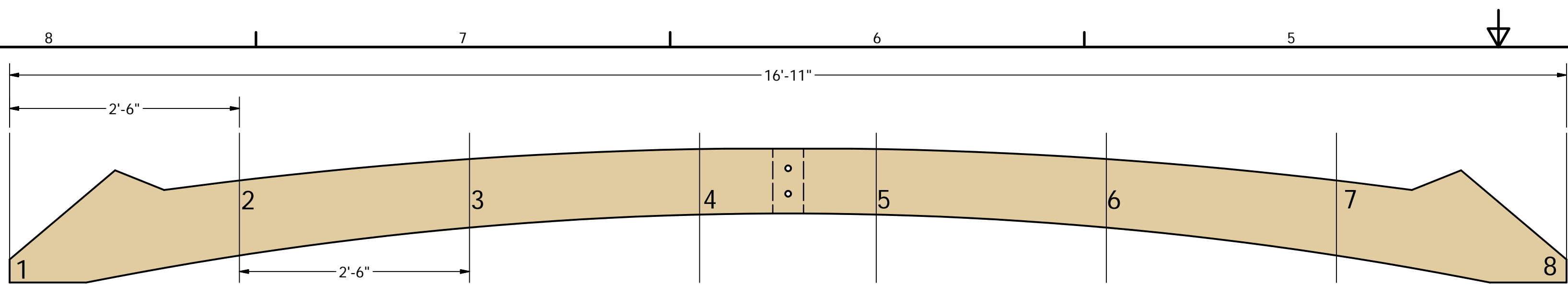
P15
SCALE 1 : 1

DRAWN	slunford	8/7/2023	P15		
CHECKED			TITLE		
QA			1 TOTAL		
MFG					
APPROVED					
			SIZE	DWG NO	REV
			24 x 36 (inches)	PERGOLA	
			SCALE	SHEET 16 OF 24	
			2" = 1'		



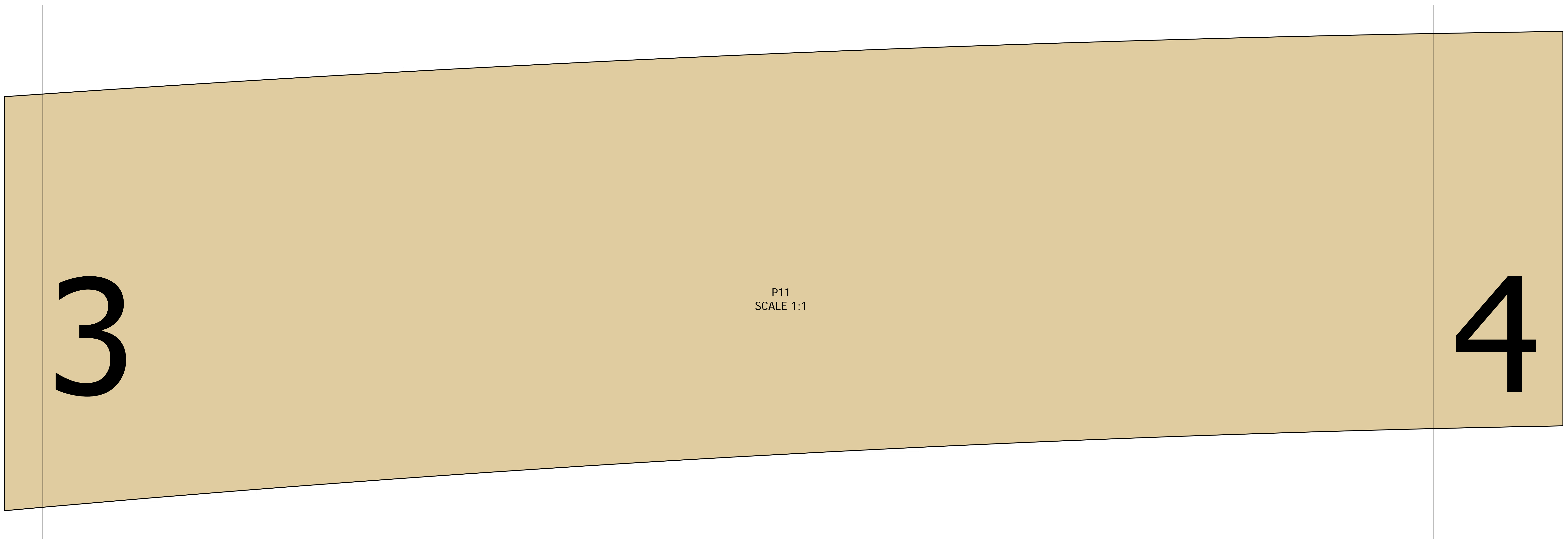
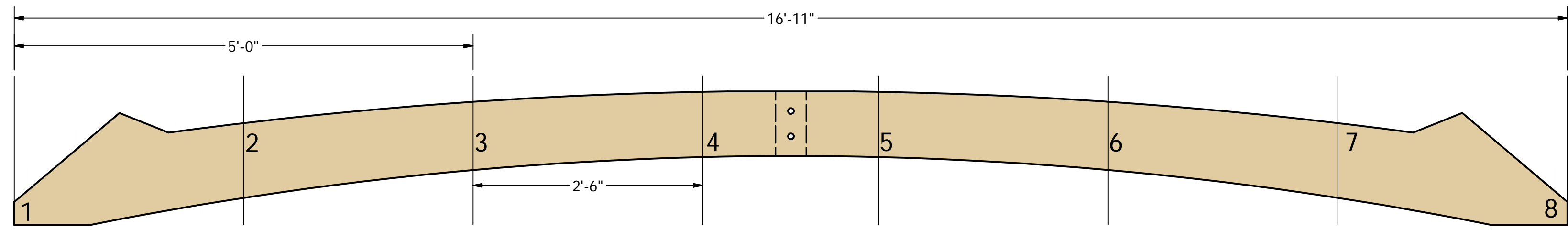
P11
SCALE 1:1

DRAWN	slunford	8/7/2023	P11 TEMPLATE		
CHECKED			TITLE		
QA					
MFG					
APPROVED					
			SIZE	DWG NO	REV
			24 x 36 (inches)	PERGOLA	
			SCALE	1"=1'	SHEET 17 OF 24

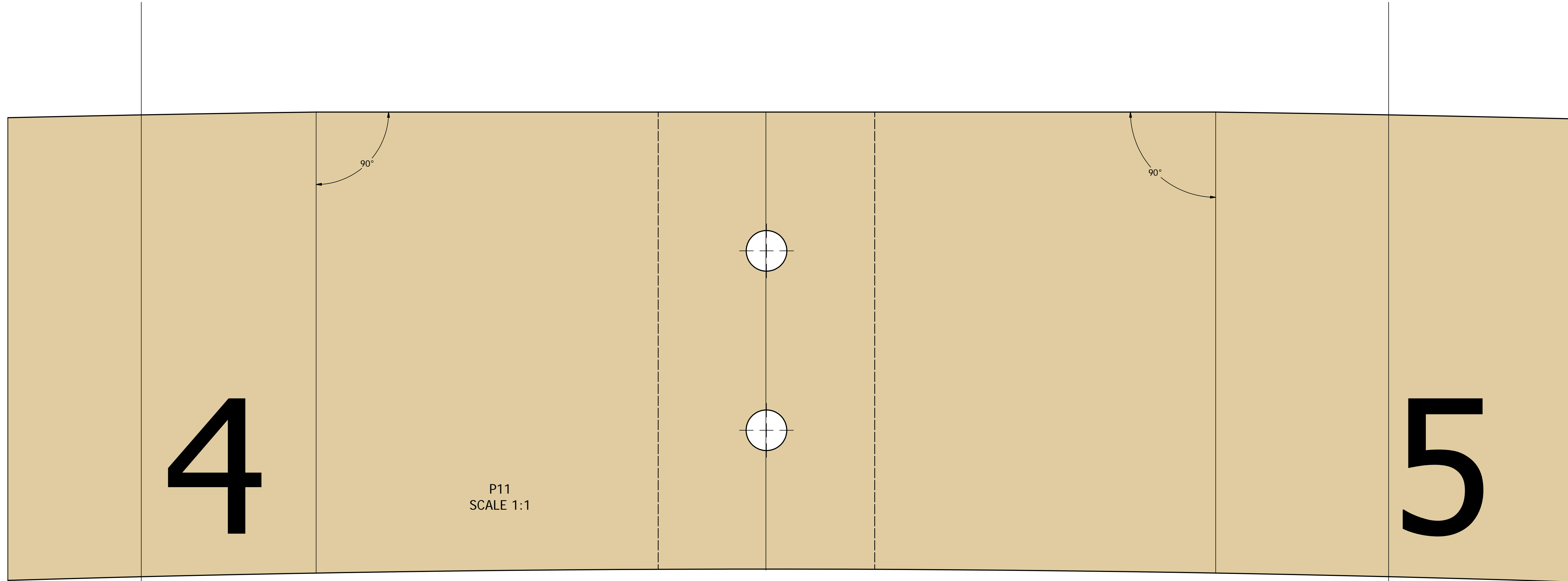
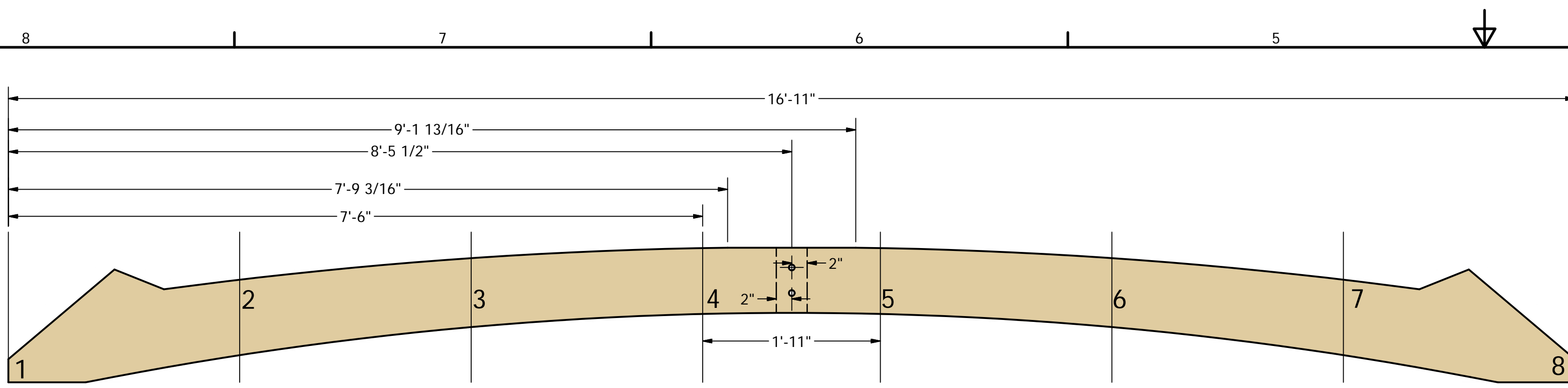


P11
SCALE 1:1

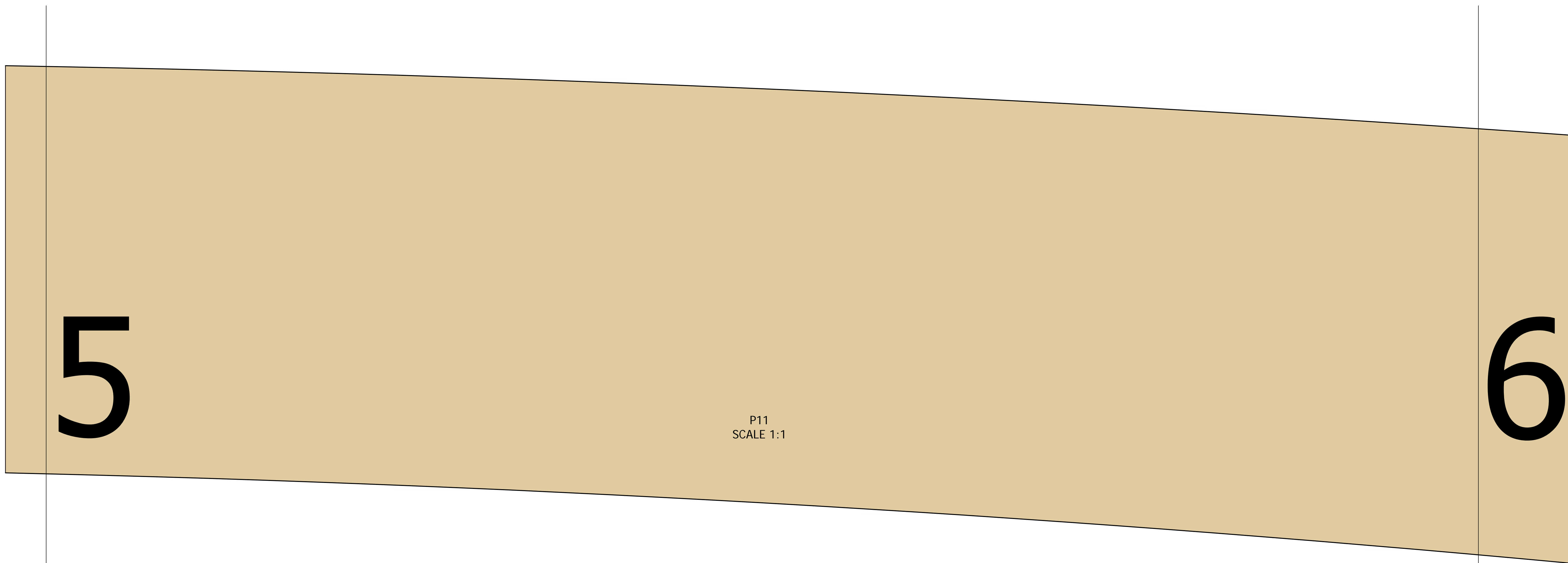
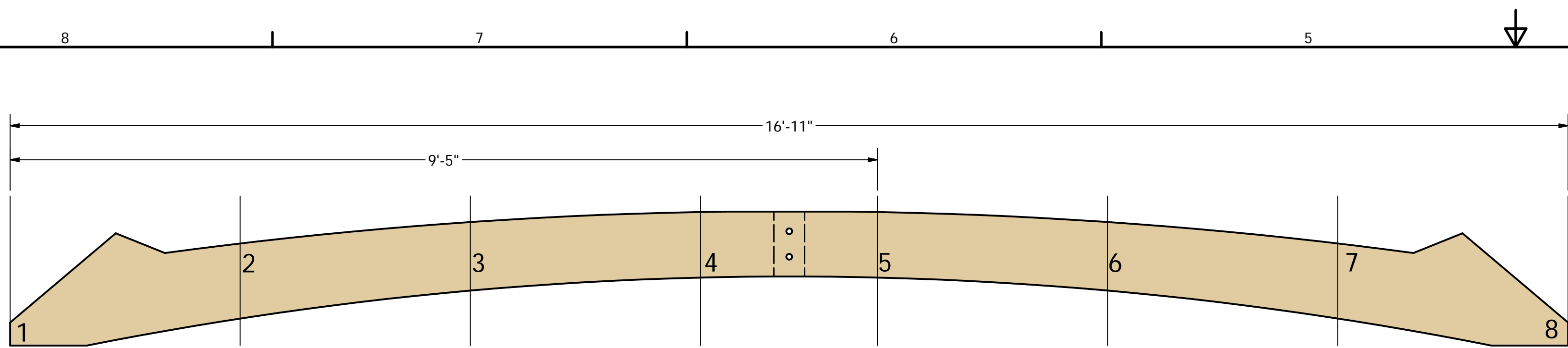
DRAWN	slunsford	8/7/2023		
CHECKED			TITLE	
QA				
MFG				
APPROVED				
		SIZE	DWG NO	REV
		24 x 36 (inches)	PERGOLA	
		SCALE	1"=1'	SHEET 18 OF 24



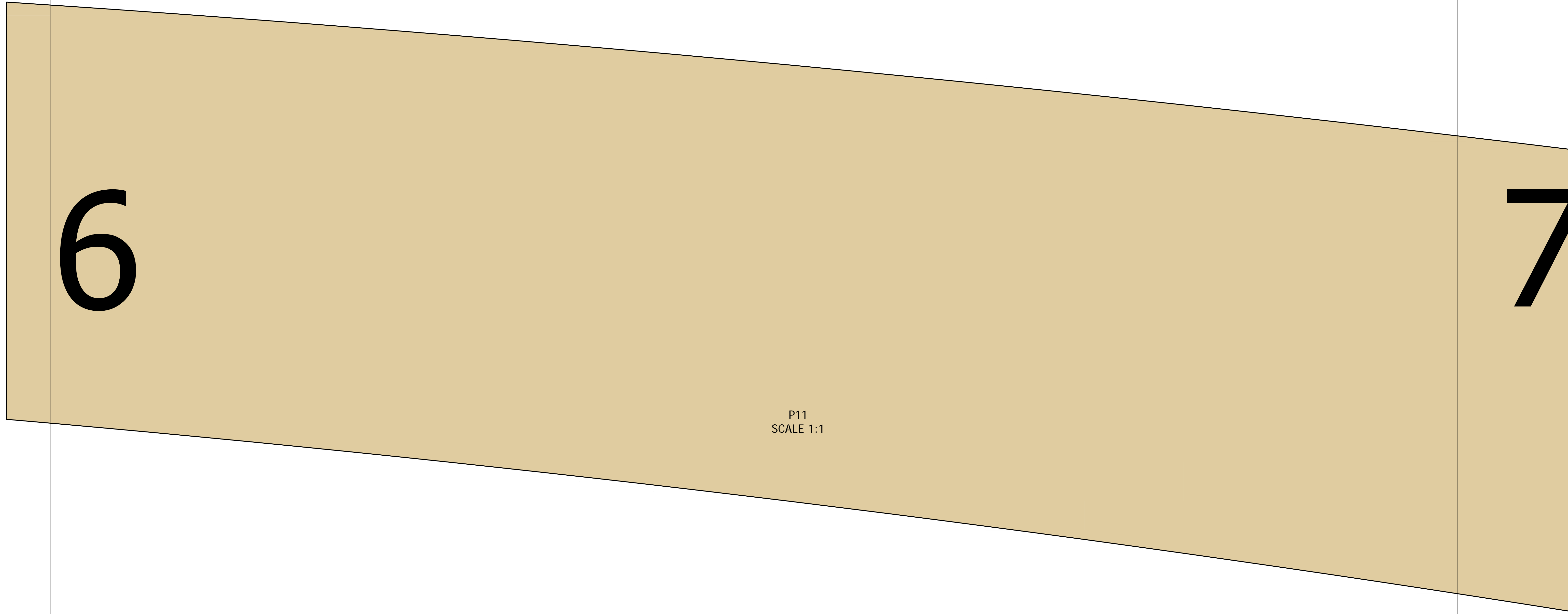
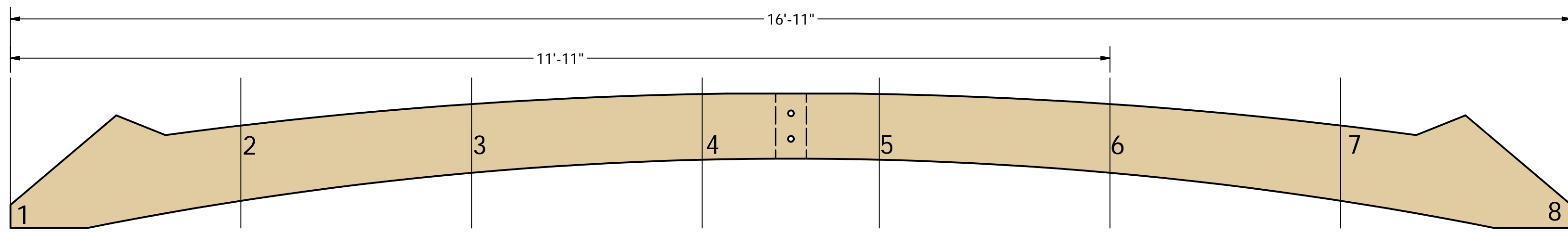
DRAWN	slunford	8/7/2023	P11 TEMPLATE		
CHECKED			TITLE		
QA					
MFG					
APPROVED					
		SIZE	DWG NO	REV	
		24 x 36 (inches)	PERGOLA		
		SCALE	1"=1'	SHEET 19 OF 24	



DRAWN	slunford	8/7/2023	P11 TEMPLATE		
CHECKED			TITLE		
QA					
MFG					
APPROVED					
			SIZE	DWG NO	REV
			24 x 36 (inches)	PERGOLA	
			SCALE	1"=1'	SHEET 20 OF 24

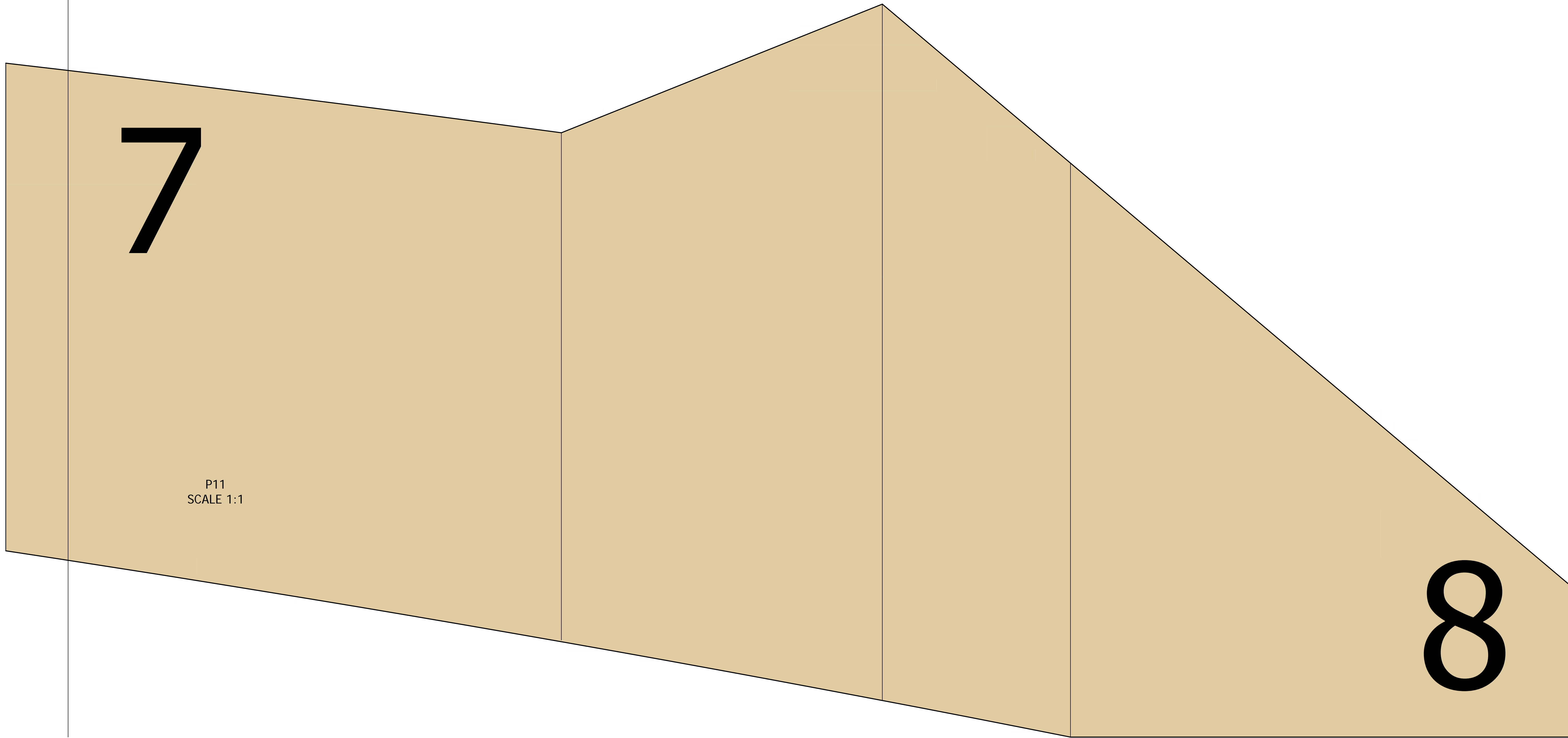
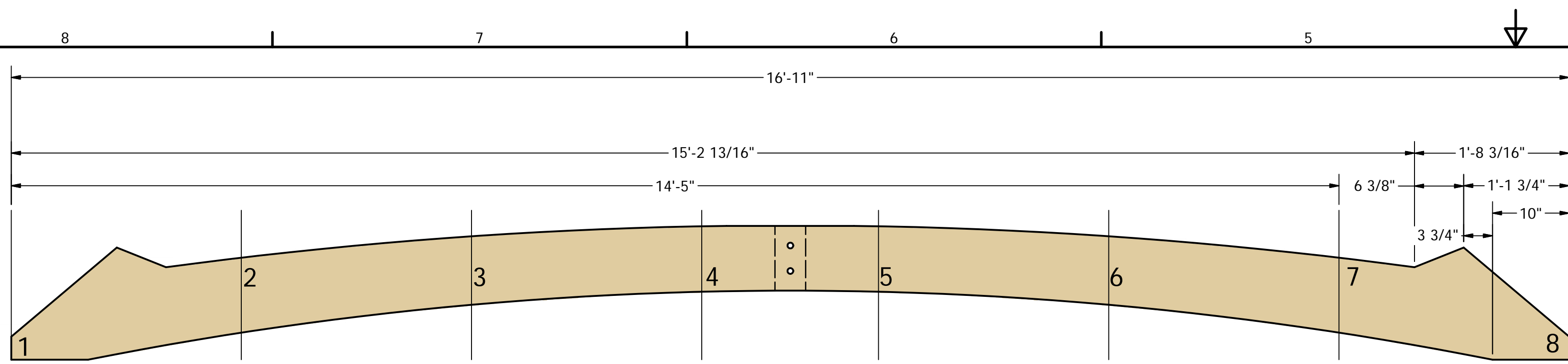


DRAWN	slunford	8/7/2023	P11 TEMPLATE		
CHECKED			TITLE		
QA					
MFG					
APPROVED					
			SIZE	DWG NO	REV
			24 x 36 (inches)	PERGOLA	
			SCALE	1"=1'	SHEET 21 OF 24

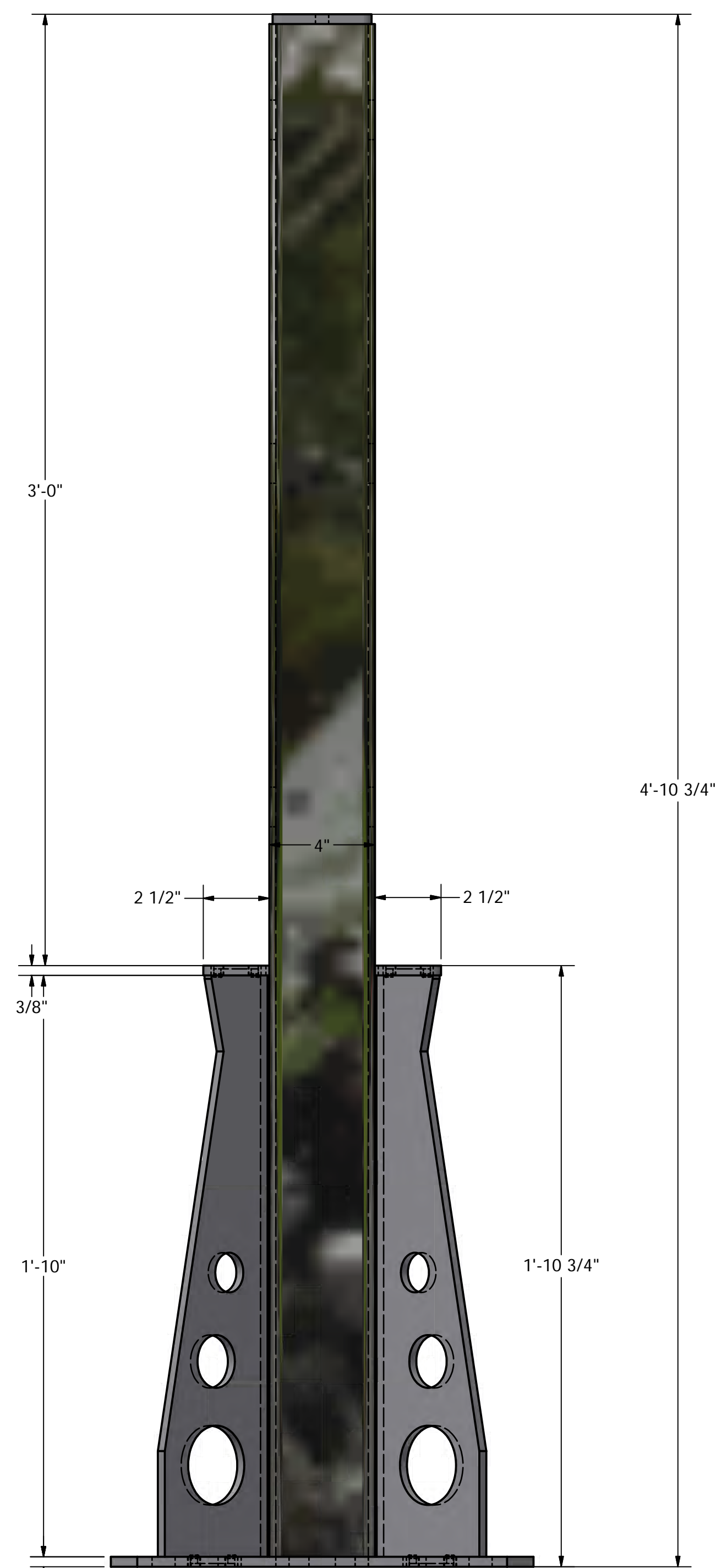
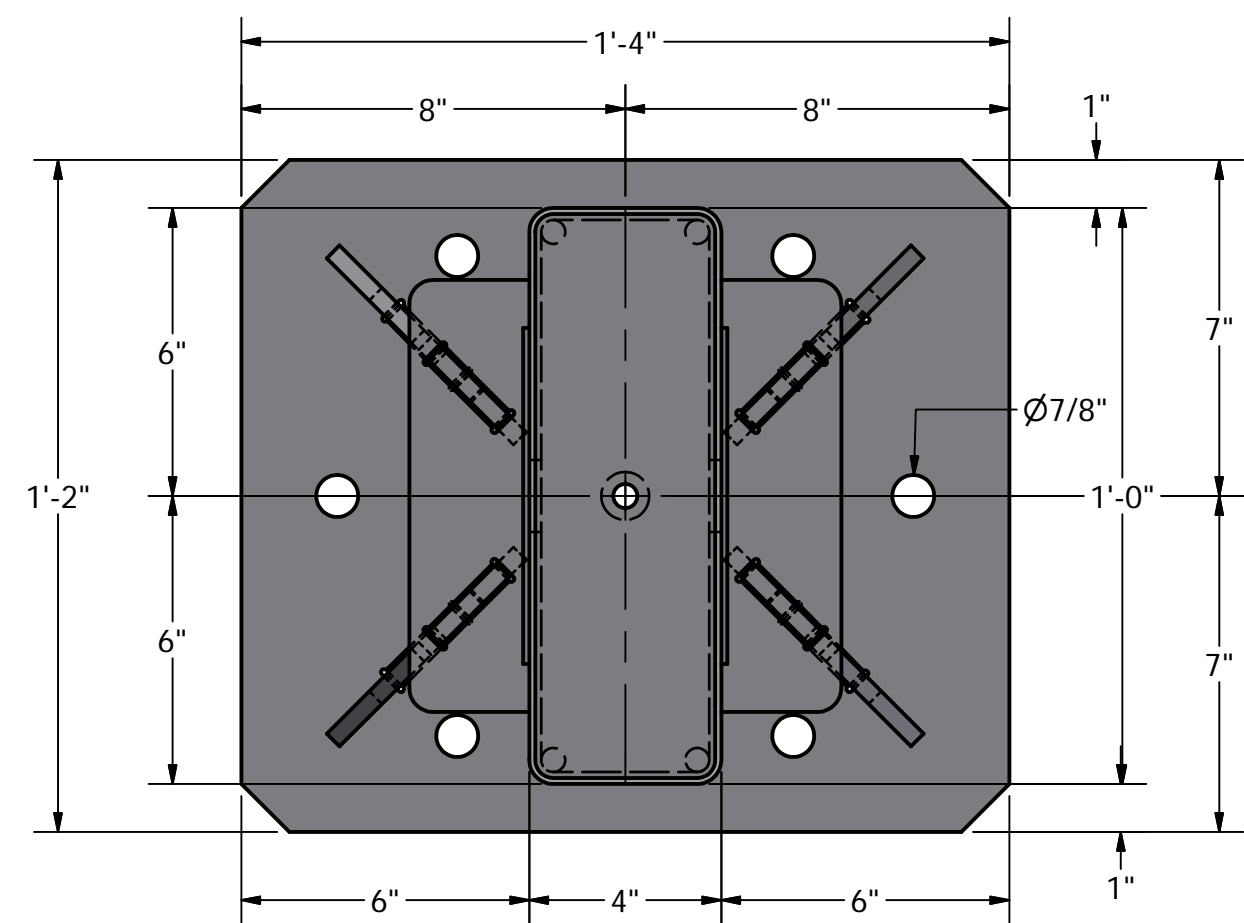


P11
SCALE 1:1

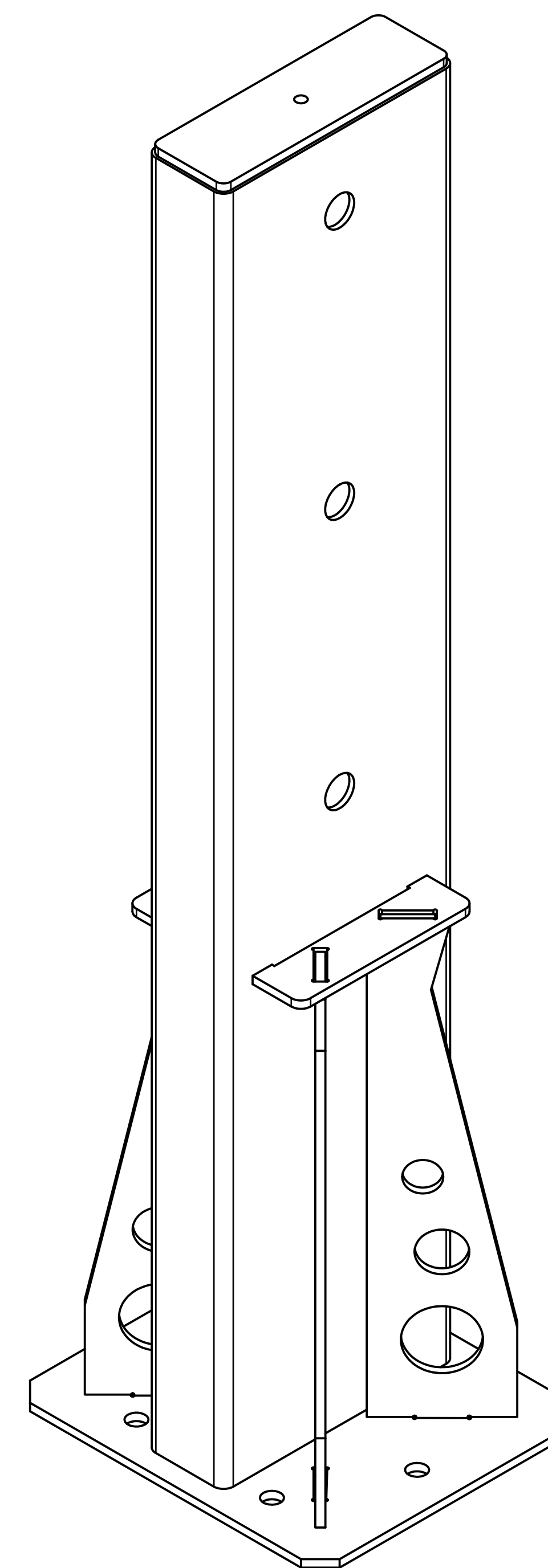
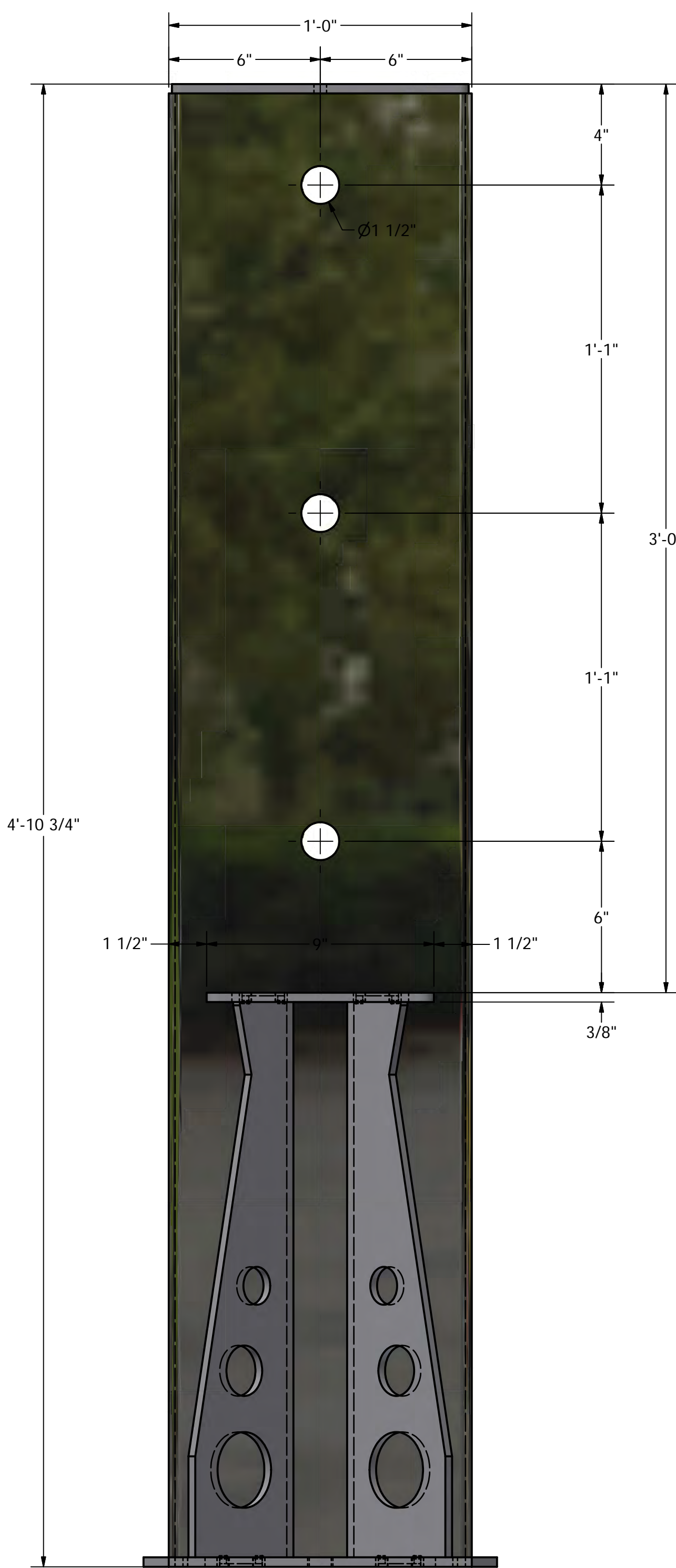
DRAWN	slunford	8/7/2023	P11 TEMPLATE		
CHECKED			TITLE		
QA					
MFG					
APPROVED					
			SIZE	DWG NO	REV
			24 x 36 (inches)	PERGOLA	
			SCALE	1"=1'	SHEET 22 OF 24



DRAWN	slunsford	8/7/2023	P11- TEMPLATE		
CHECKED			TITLE		
QA			DWG NO		
MFG			24 x 36 (inches)		REV
APPROVED			SCALE	1"=1'	SHEET 23 OF 24



POST BASE
SCALE 3"=1'



SKETCH
SCALE 3"=1'

DRAWN	slunsford	8/7/2023	POST BASE		
CHECKED			TITLE		
QA			4 TOTAL		
MFG					
APPROVED					
			SIZE	DWG NO	REV
			24 x 36 (inches)	PERGOLA	
			SCALE	3"=1'	SHEET 24 OF 24