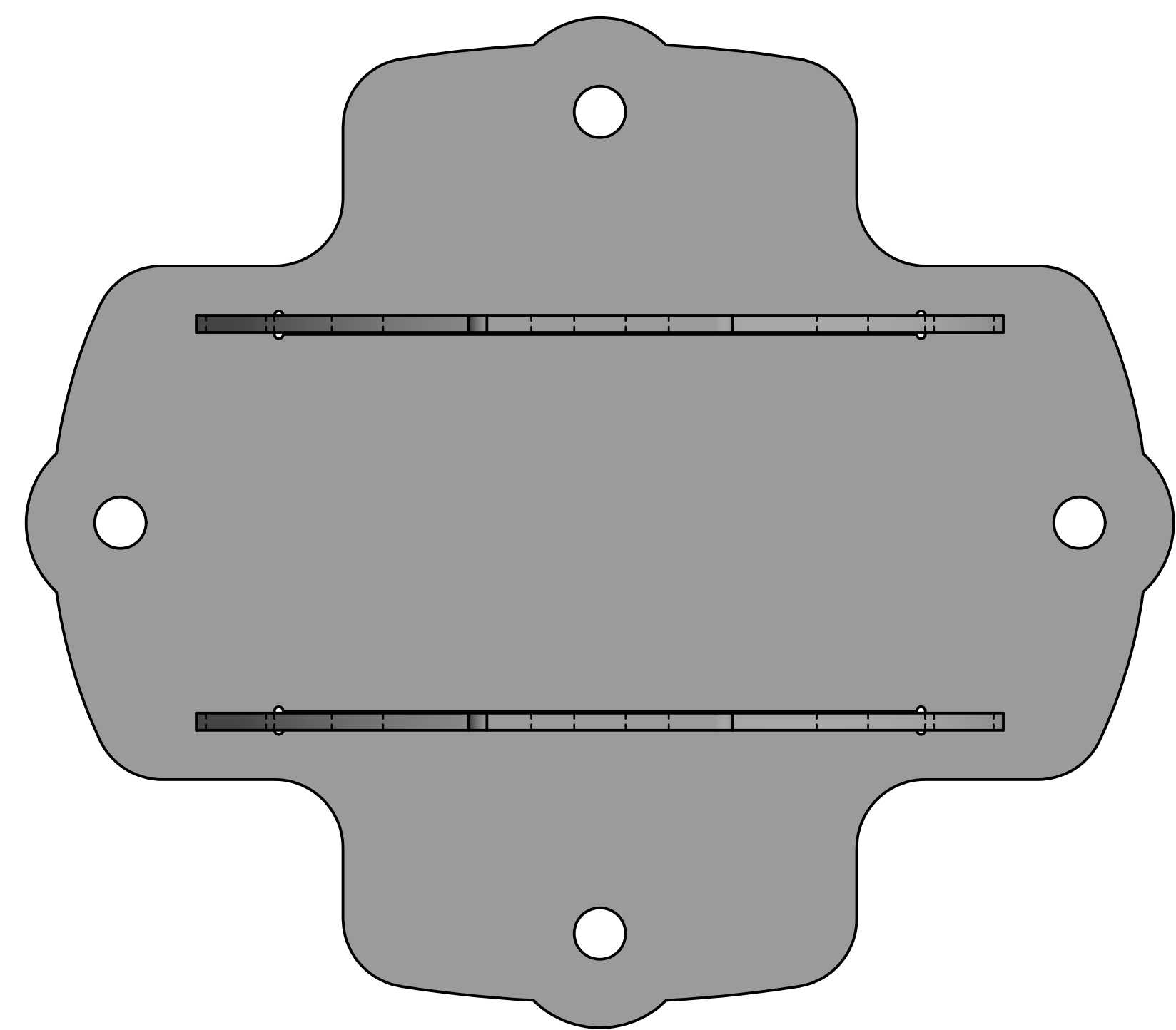
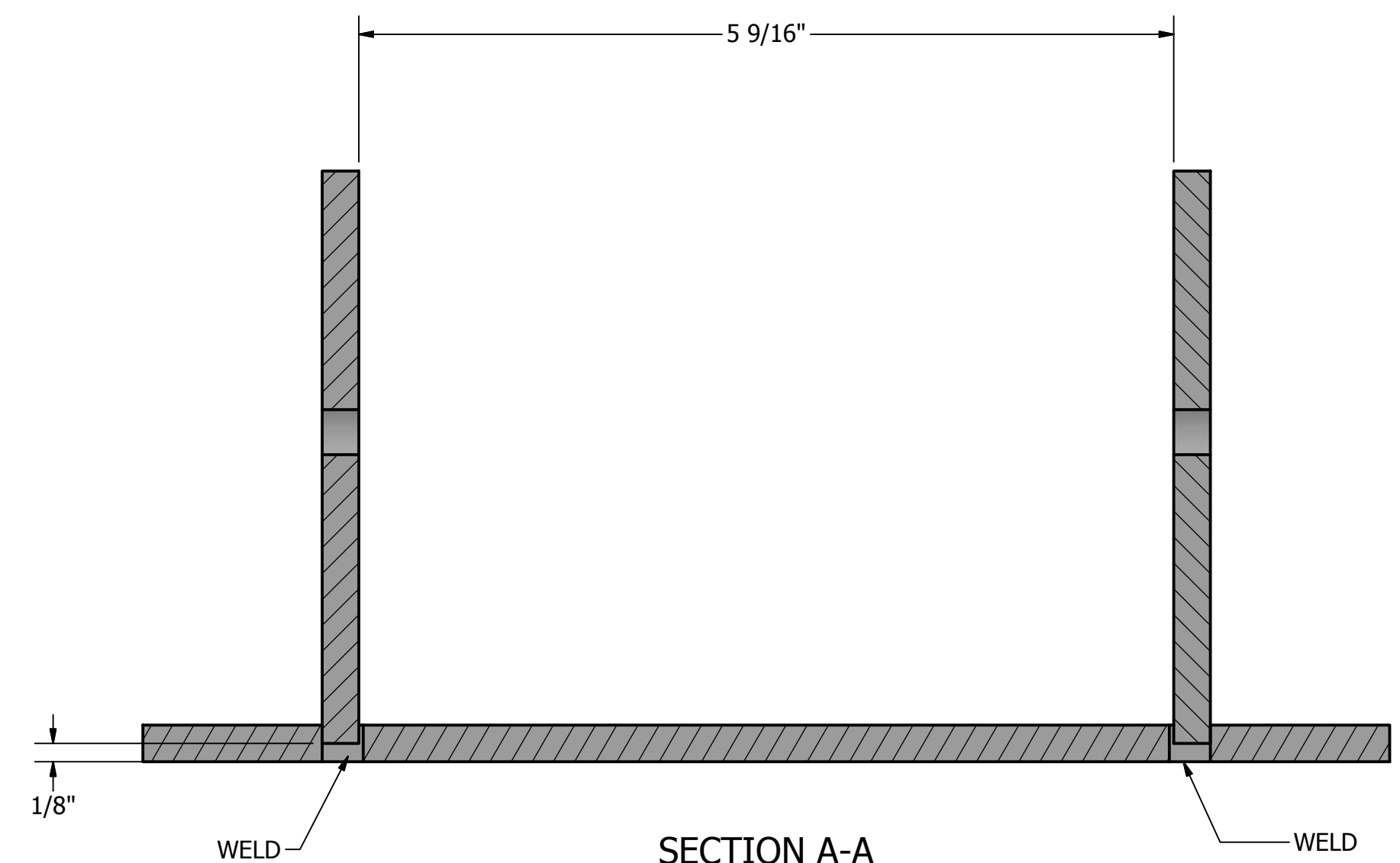


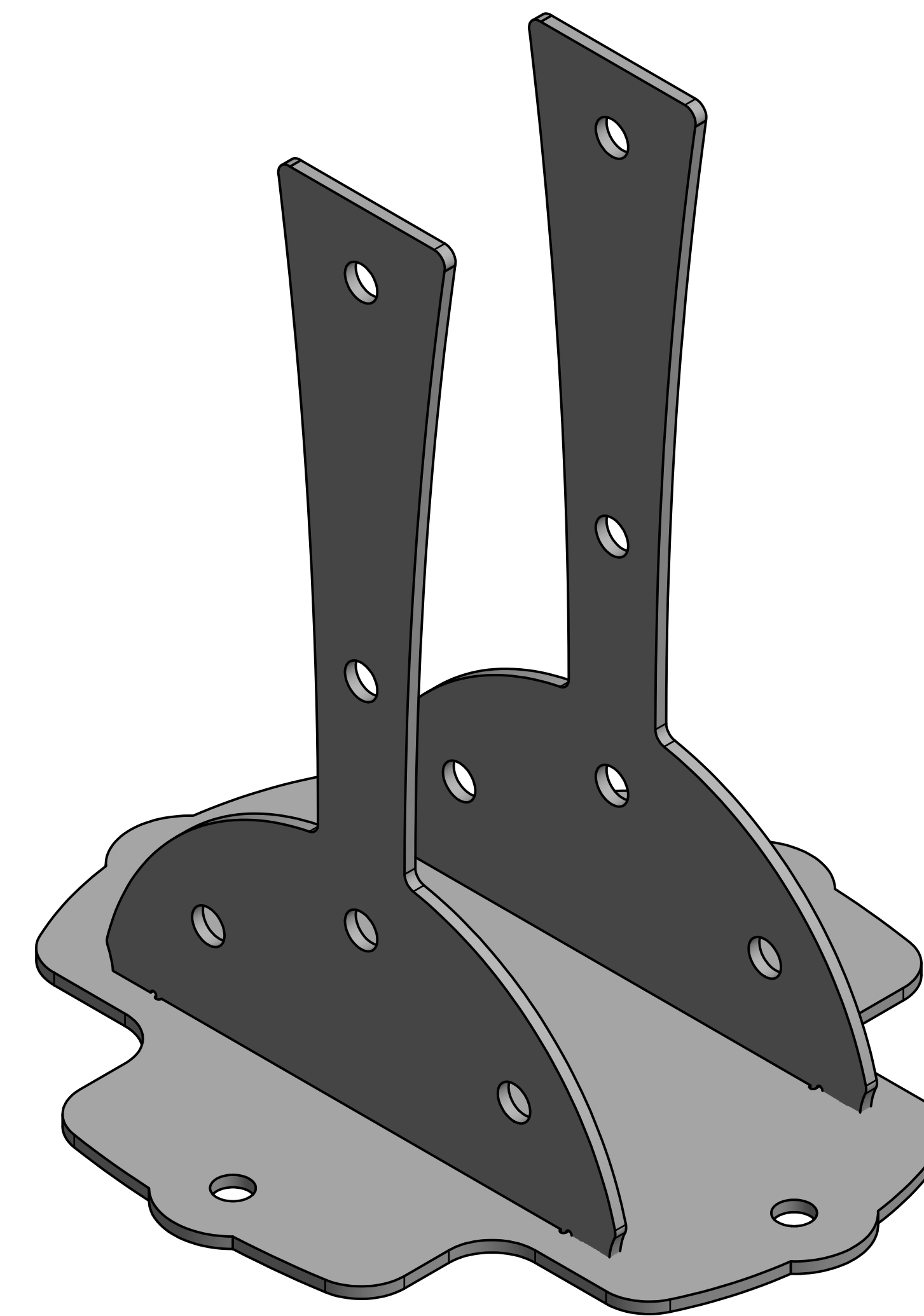
DRAWN slunsford	6/7/2017	POST BASE	
CHECKED		TITLE	
QA			
MFG			
APPROVED			
	SIZE 24 x 36 (inches)	DWG NO BASE TIE	REV
	SCALE 1:1	SHEET 1 OF 2	



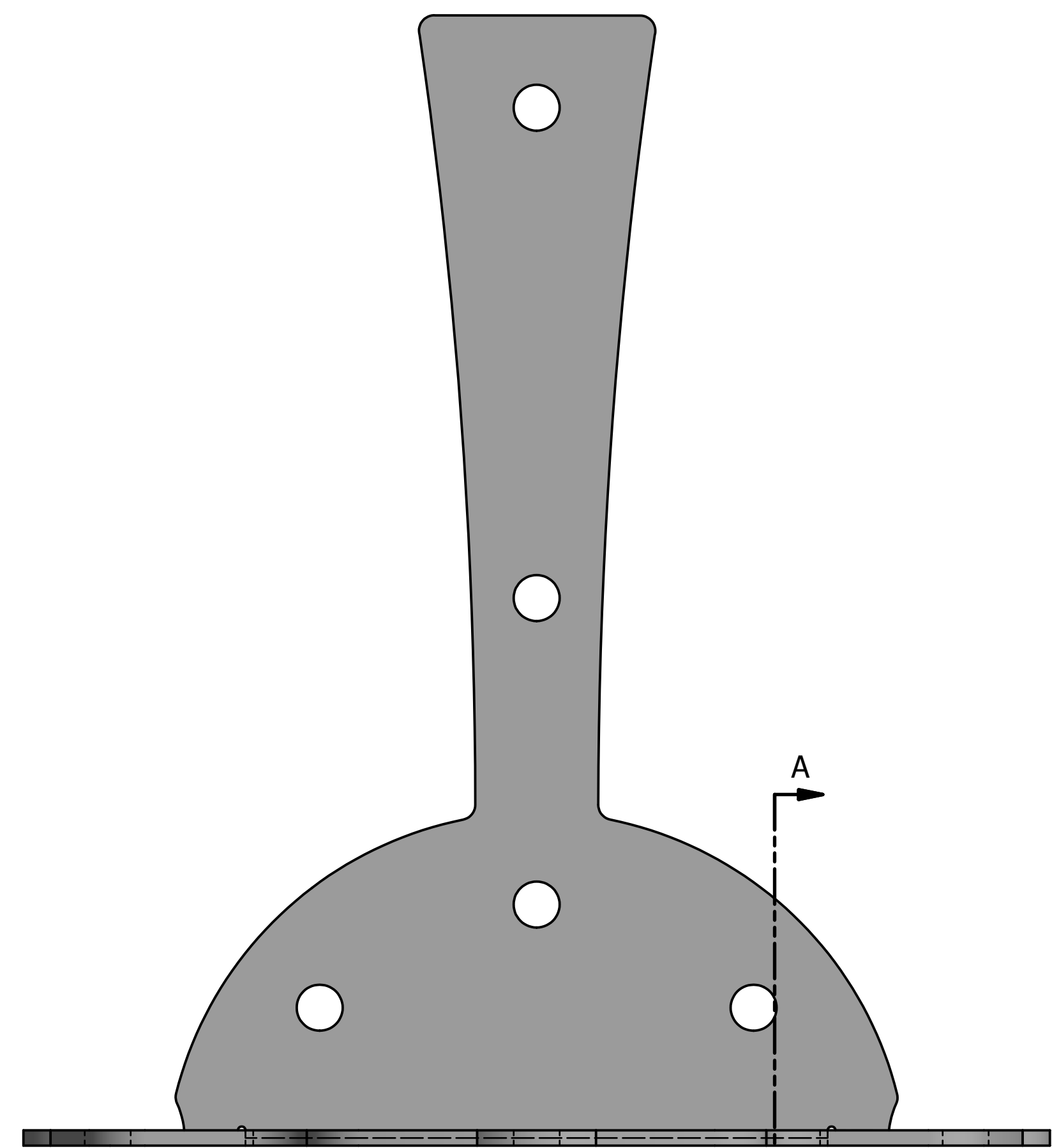
TOP
SCALE 1 / 2



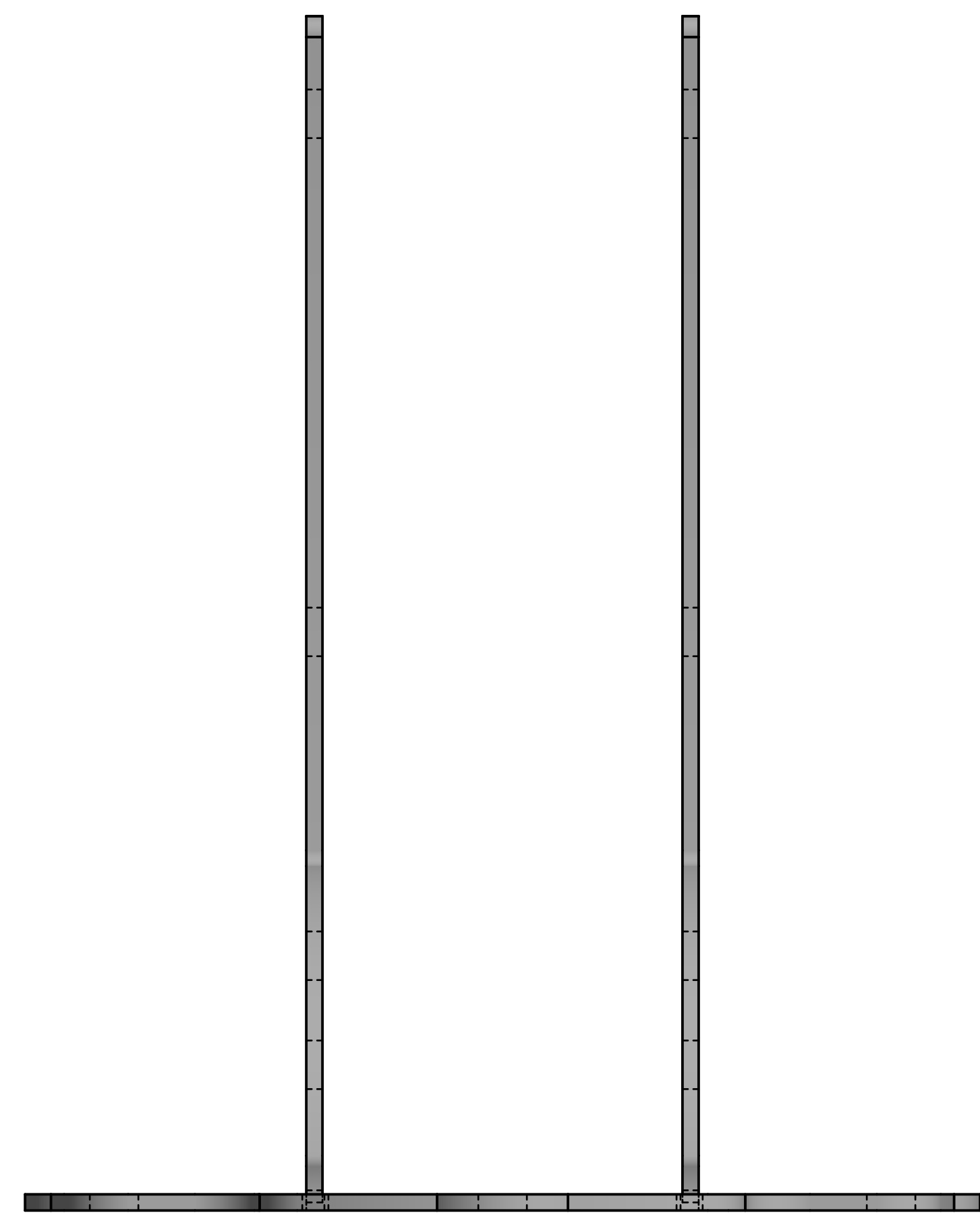
SECTION A-A
SCALE 1:1



SKETCH
SCALE 1 / 2



FRONT
SCALE 1 / 2



SIDE
SCALE 1 / 2

DRAWN slunford	6/7/2017	POST BASE		
CHECKED		TITLE		
QA		4 TOTAL		
MFG				
APPROVED				
		SIZE 24 x 36 (inches)	DWG NO BASE TIE	REV
		SCALE 1 / 2	SHEET 2 OF 2	