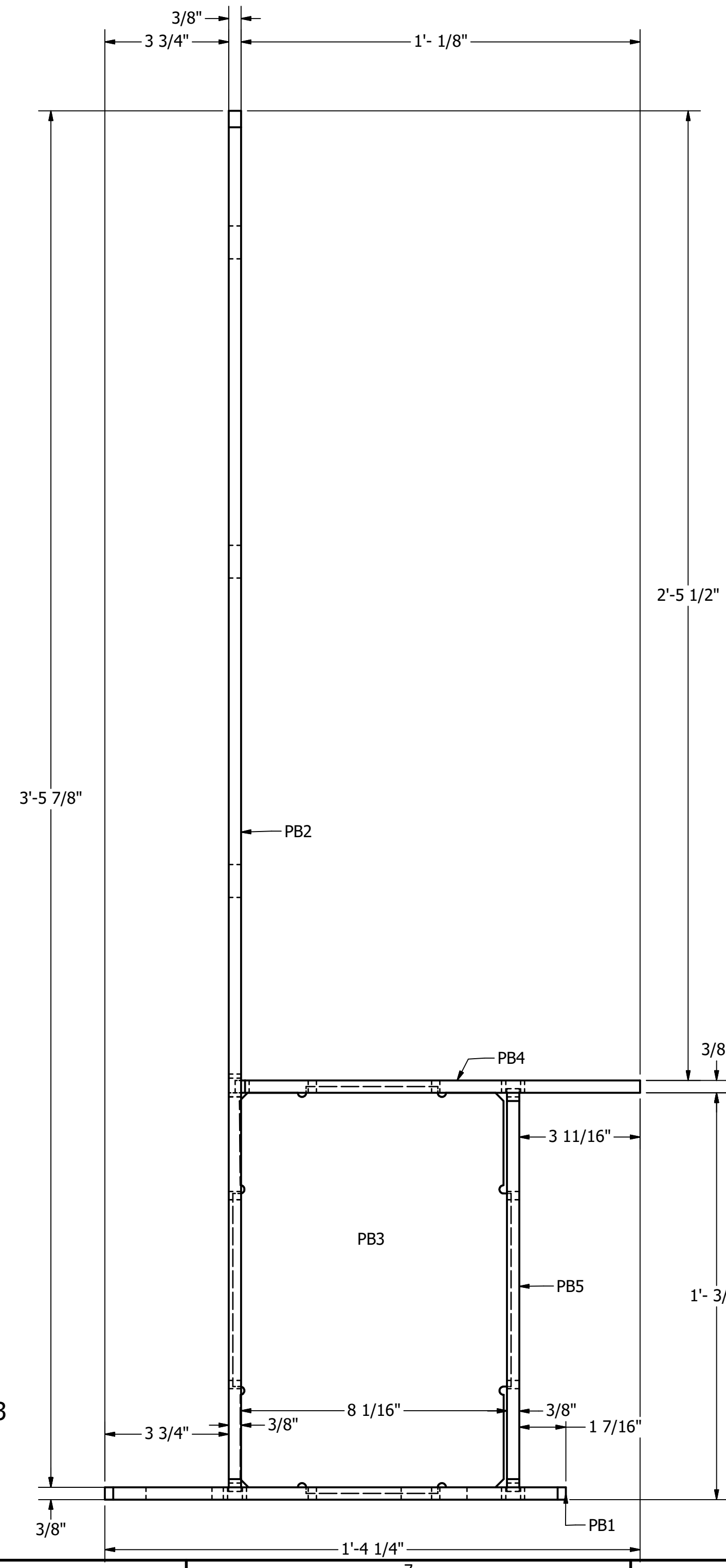
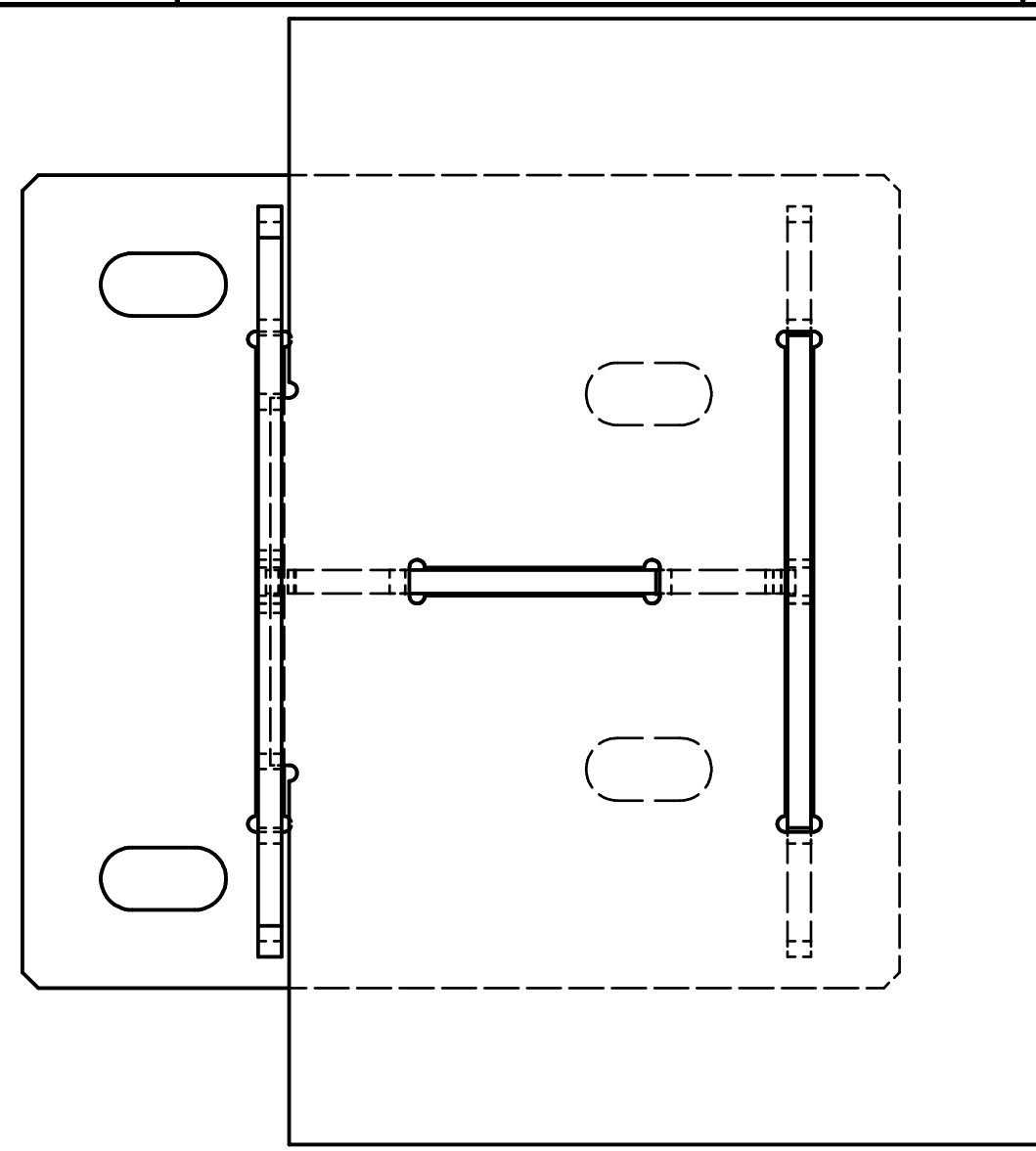
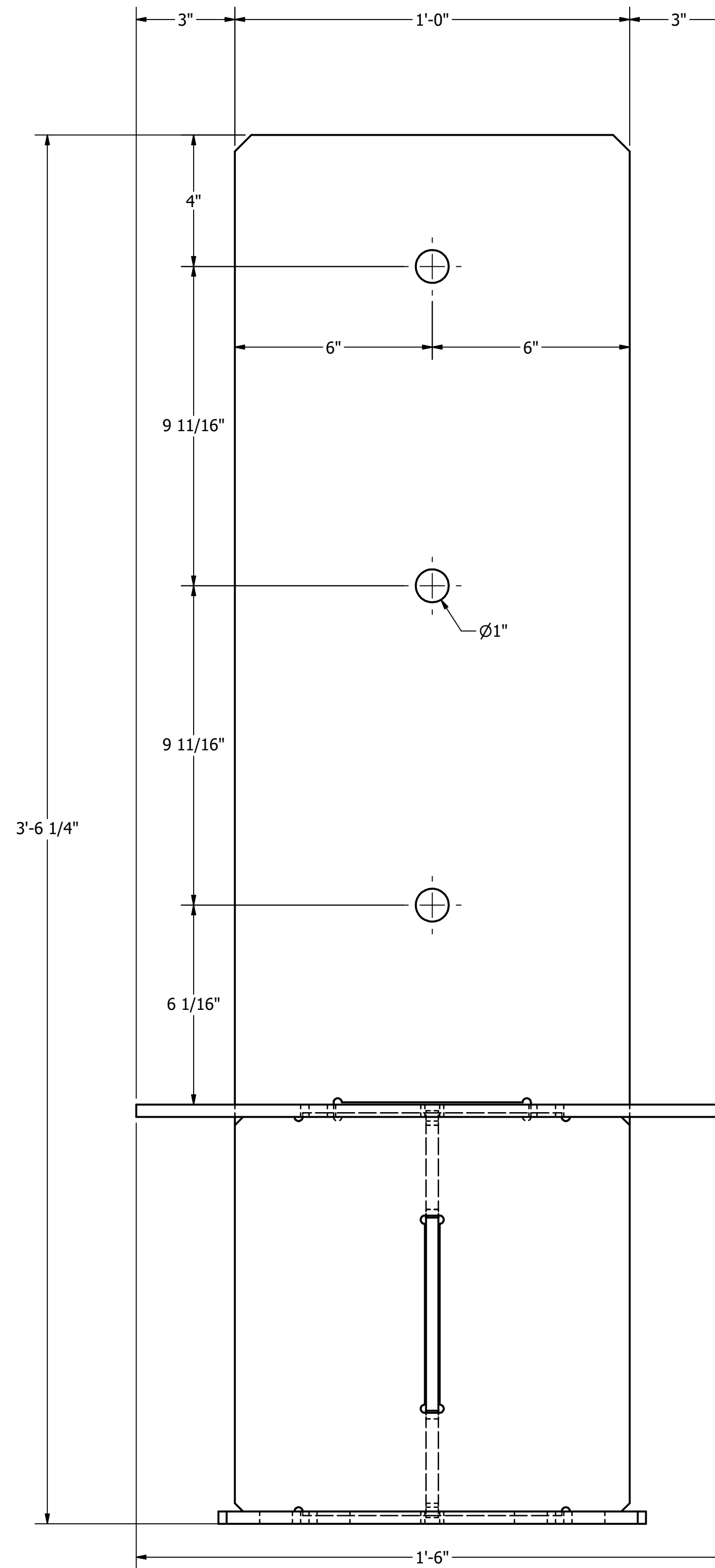


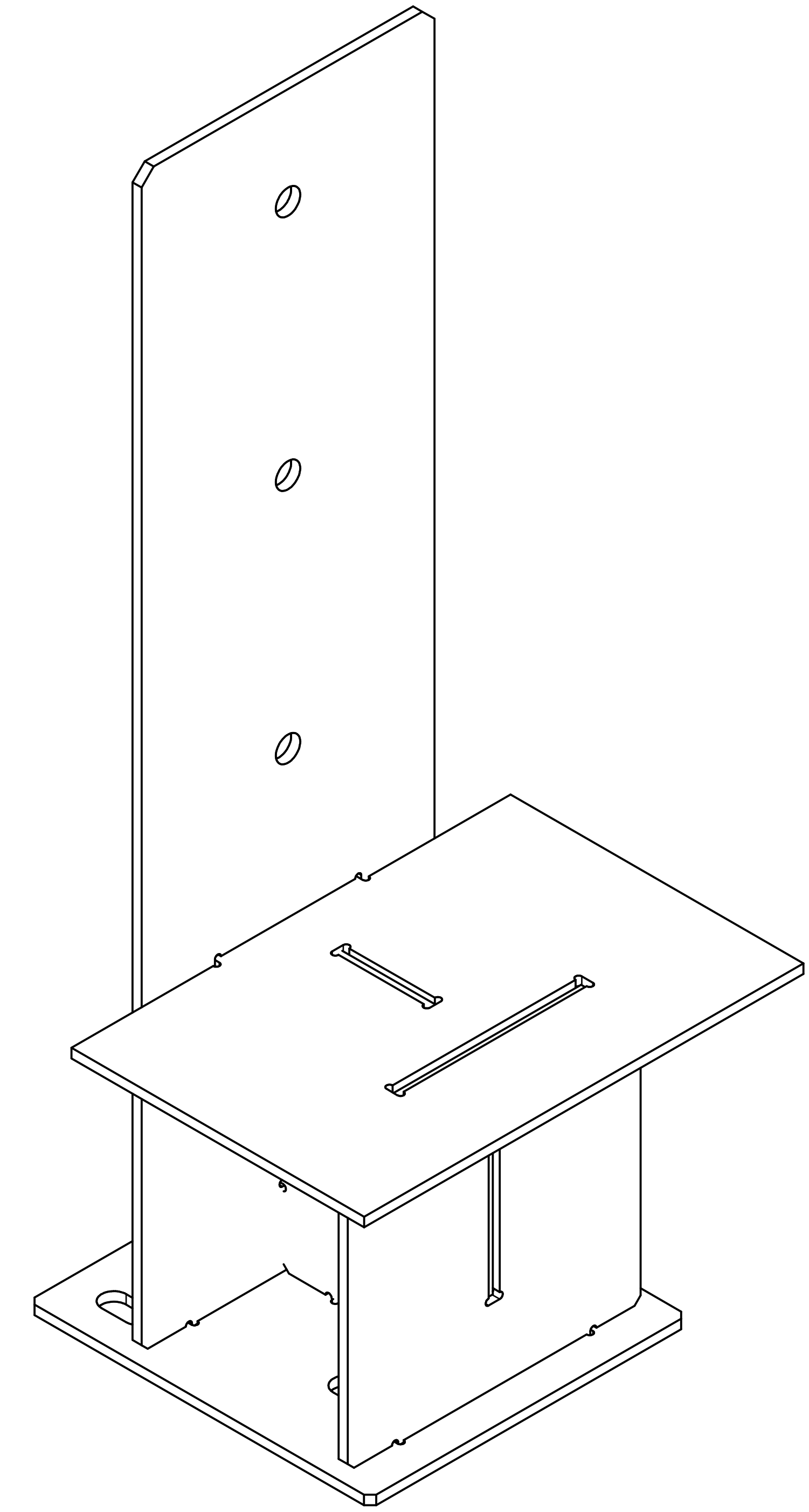
TOP
SCALE 1/3



SIDE
SCALE 1/3

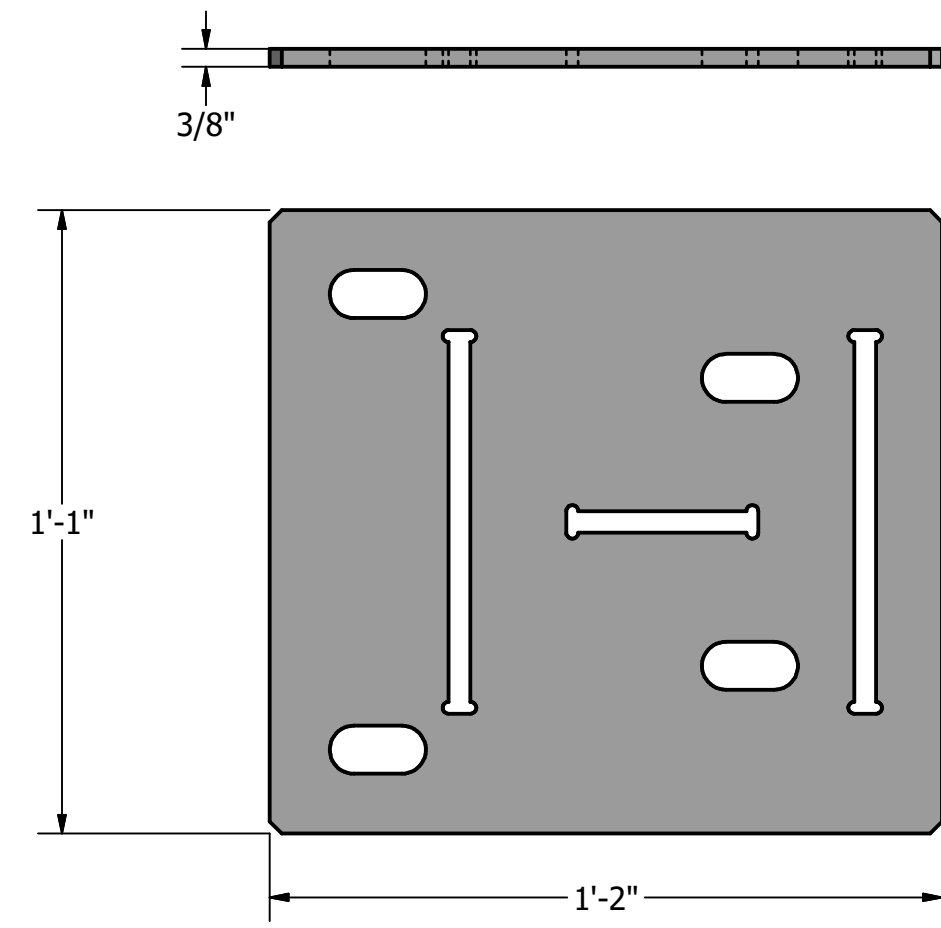


FRONT
SCALE 1/3

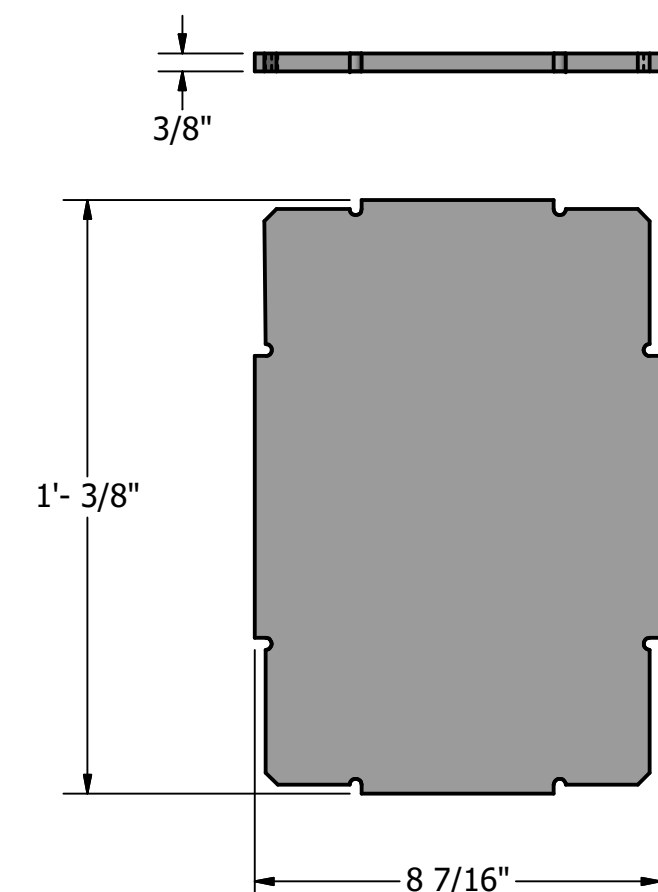


SKETCH
SCALE 1/3

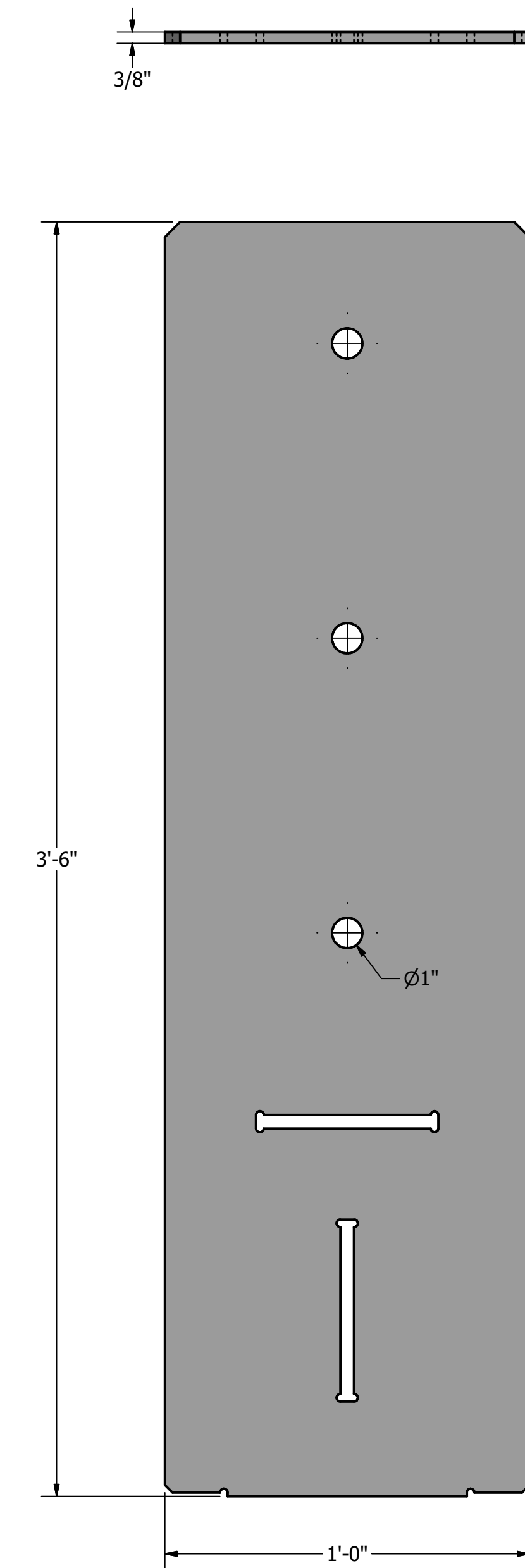
DRAWN slunford	2/6/2022	POST BASE -MAIN POST- STANDARD		
CHECKED		8 TOTAL		
QA		TITLE		
MFG				
APPROVED				
		SIZE 24 x 36 (inches)	DWG NO POST BASE v1	REV
		SCALE 1/3		SHEET 1 OF 4



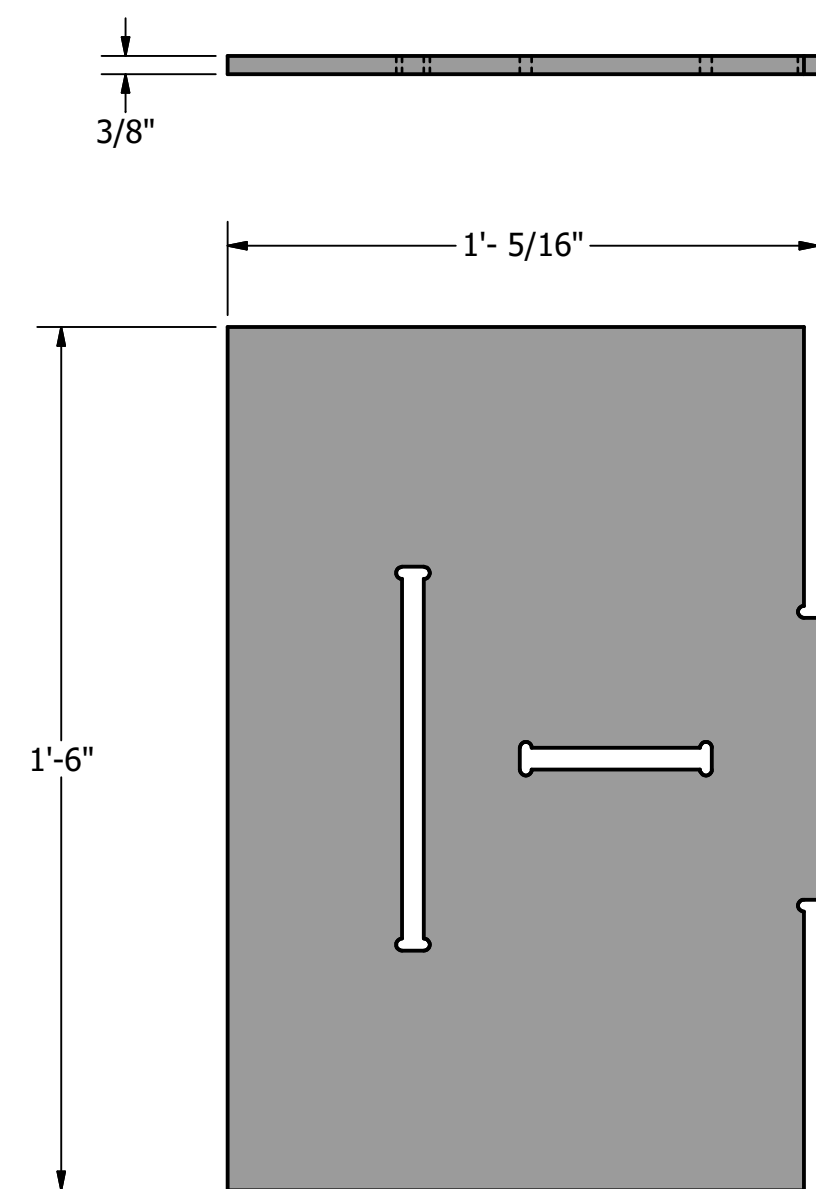
PB1
SCALE 1 / 4
8 TOTAL



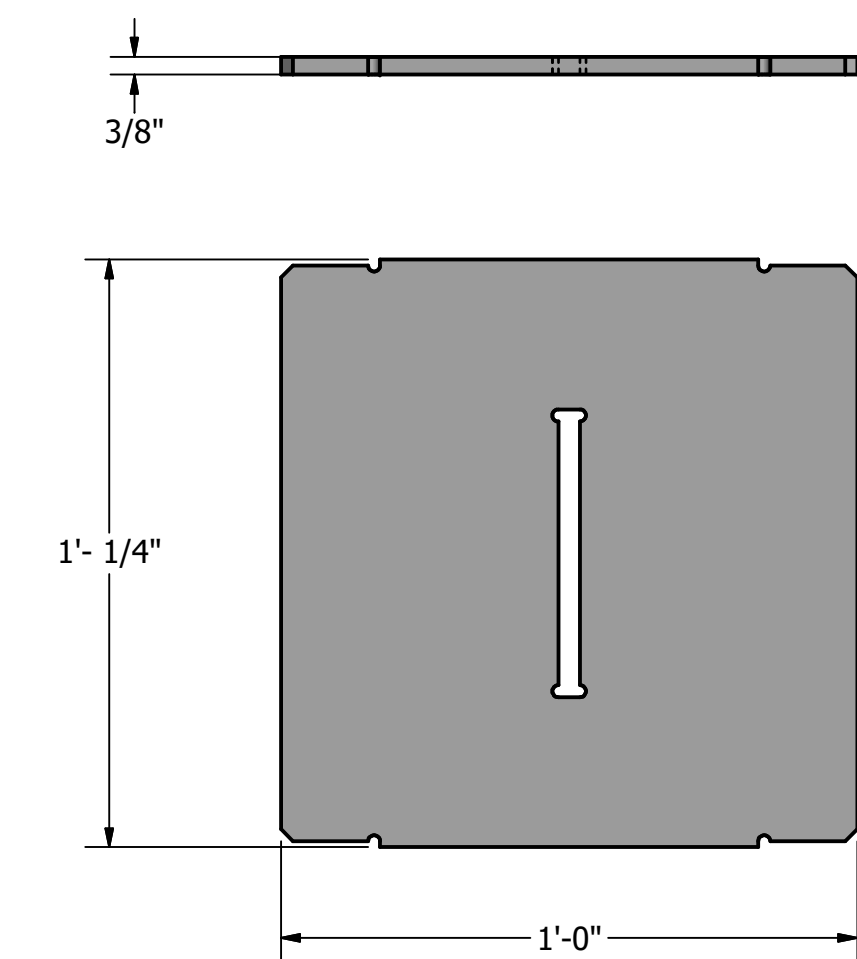
PB3
SCALE 1 / 4
8 TOTAL



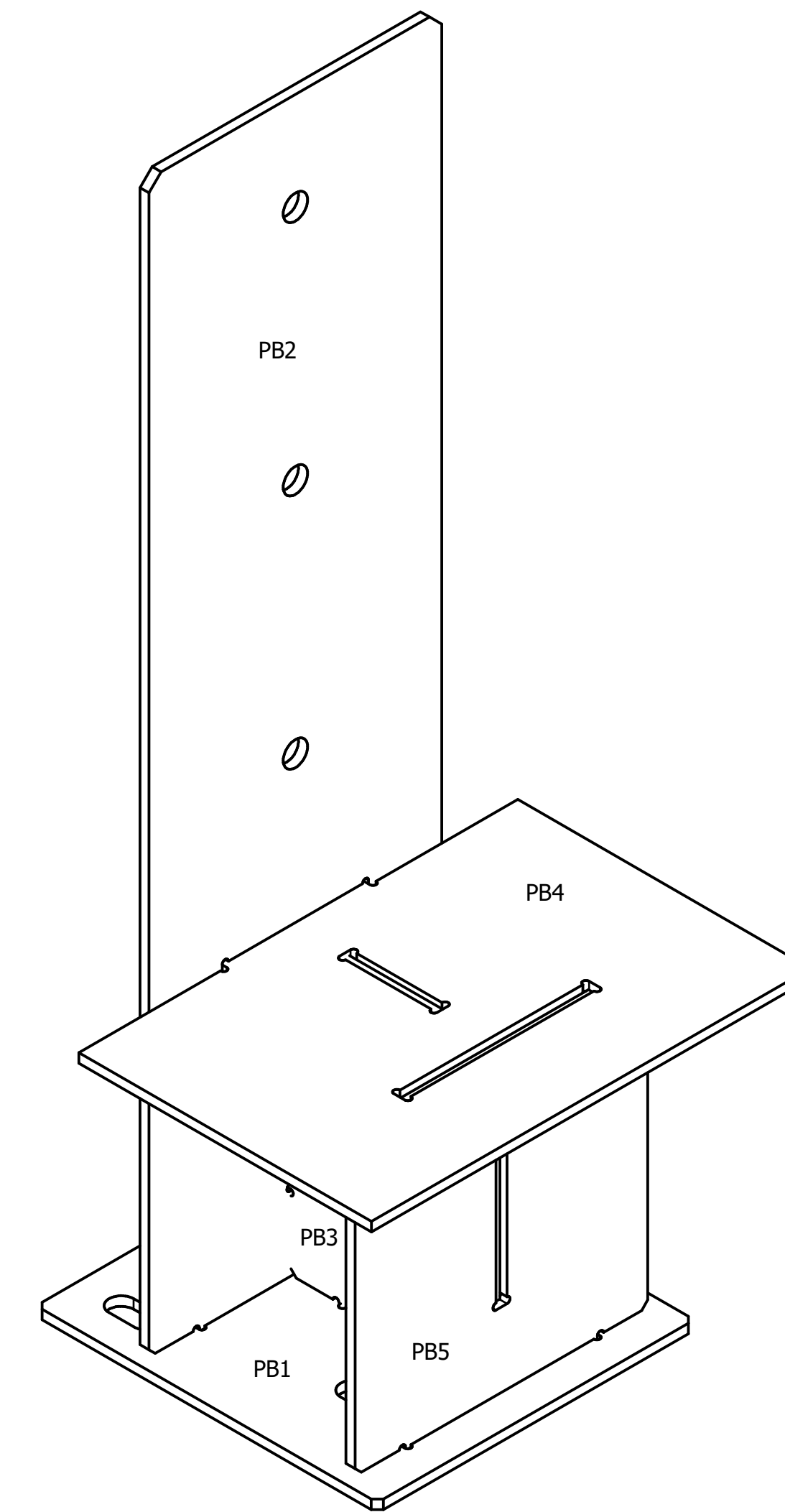
PB2
SCALE 1 / 4
8 TOTAL



PB4
SCALE 1 / 4
8 TOTAL

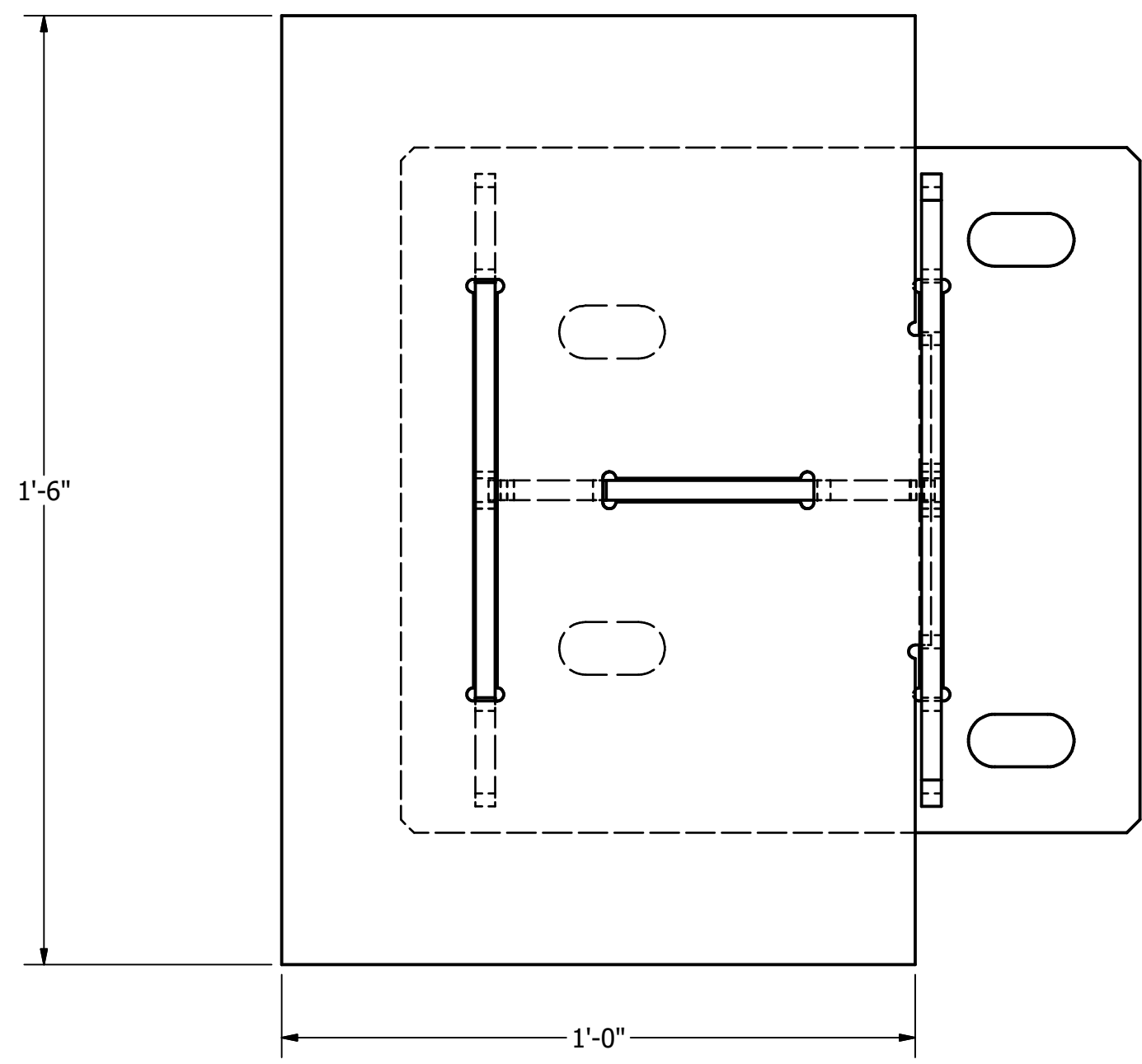


PB5
SCALE 1 / 4
8 TOTAL

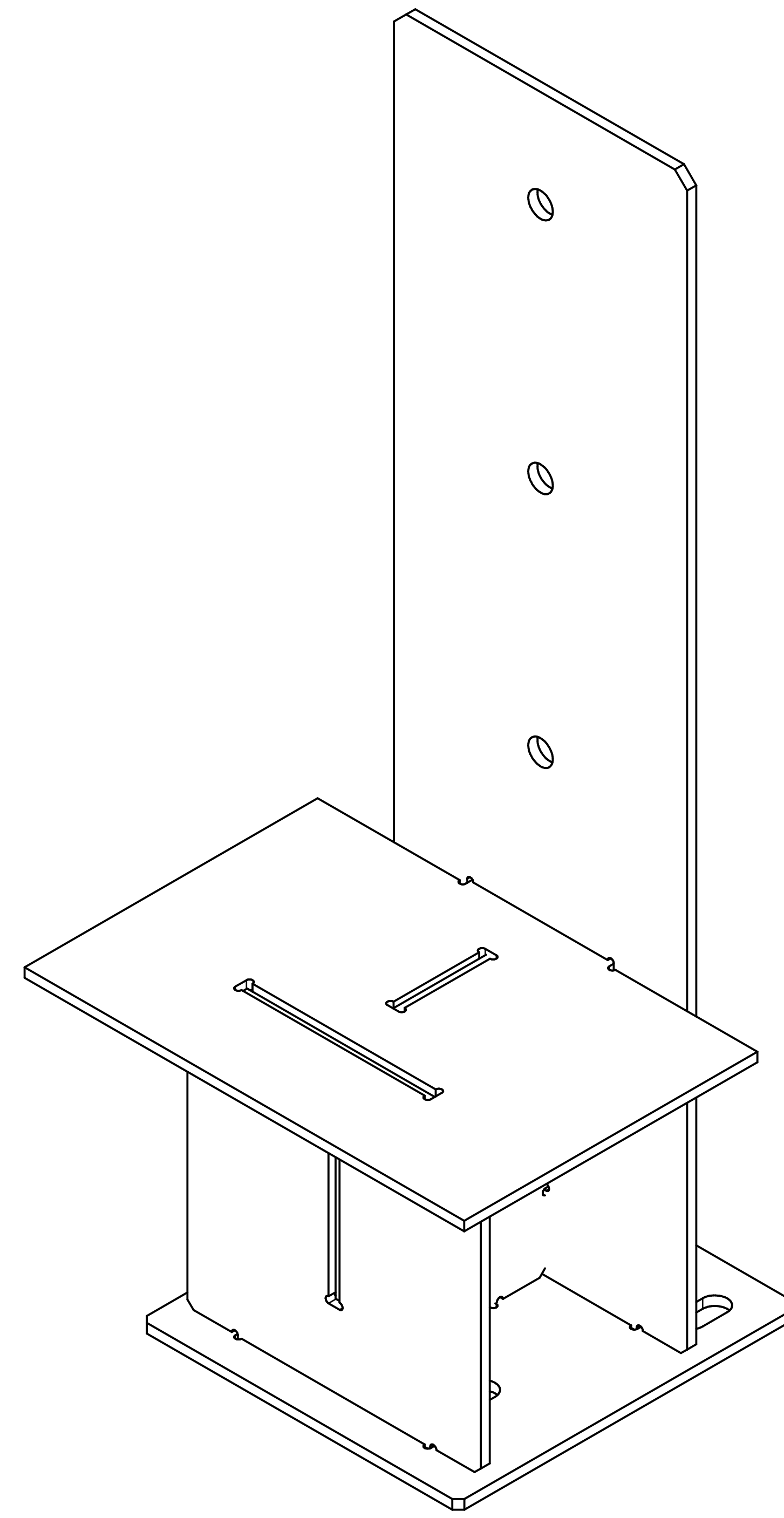


POST BASE STANDARD
SCALE 1 / 4
8 STANDARD POST BASES TOTAL

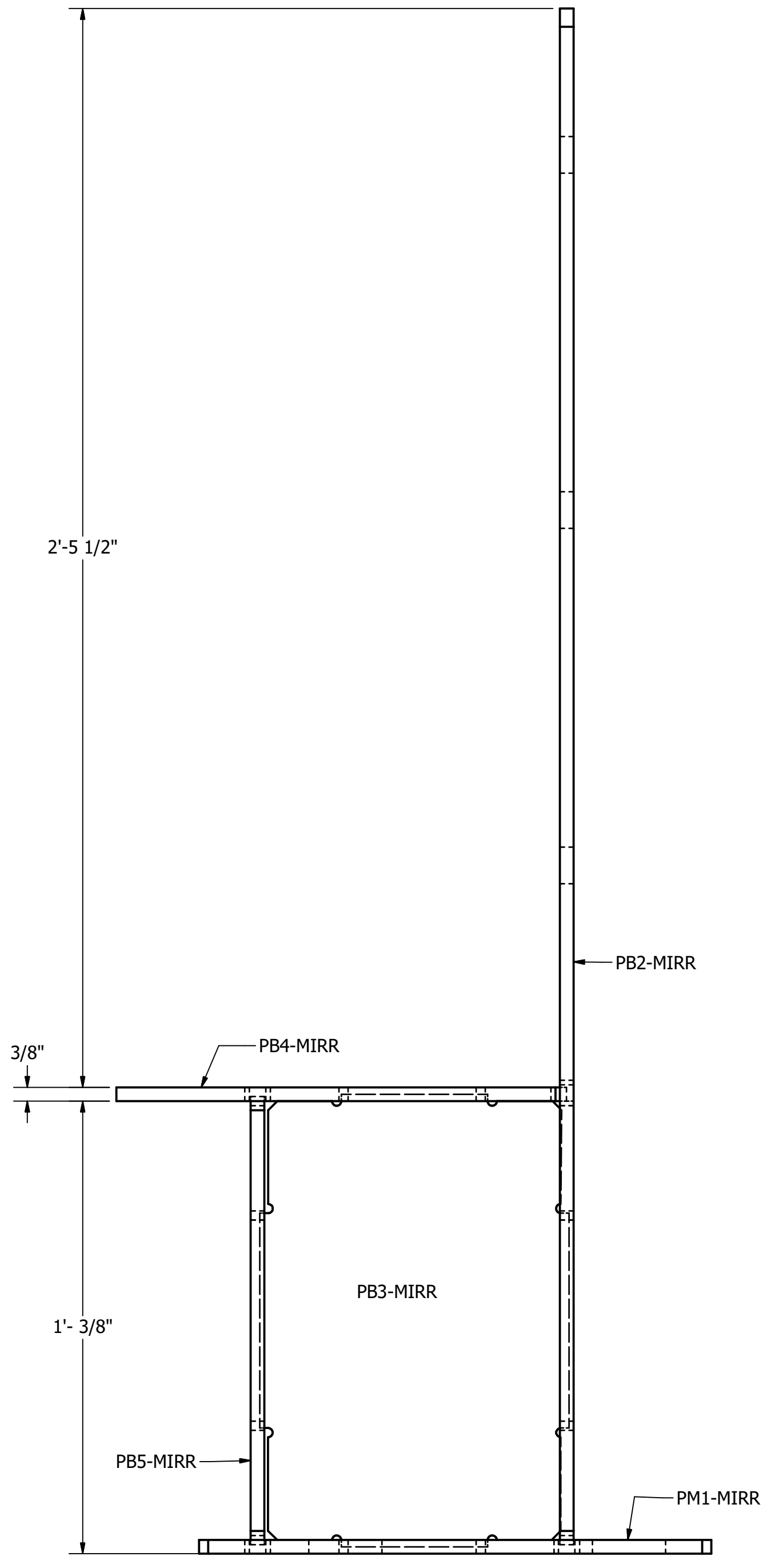
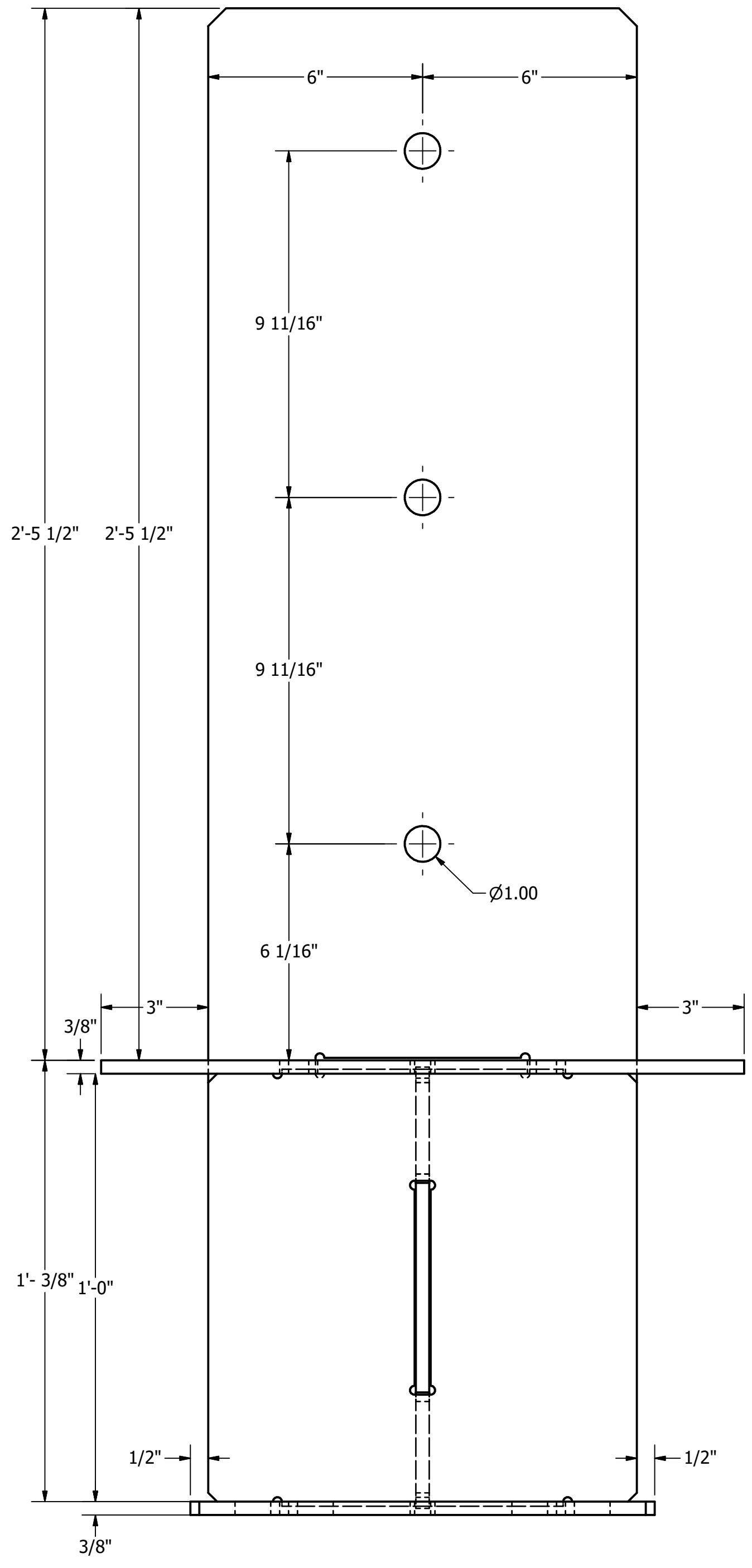
DRAWN	2/6/2022	STANDARD POST BASES -PARTS		
CHECKED		TITLE		
QA				
MFG				
APPROVED				
	24 x 36 (inches)	SIZE	DWG NO	REV
	1 / 4	SCALE	POST BASE v1	
				SHEET 2 OF 4



TOP
SCALE 1/3

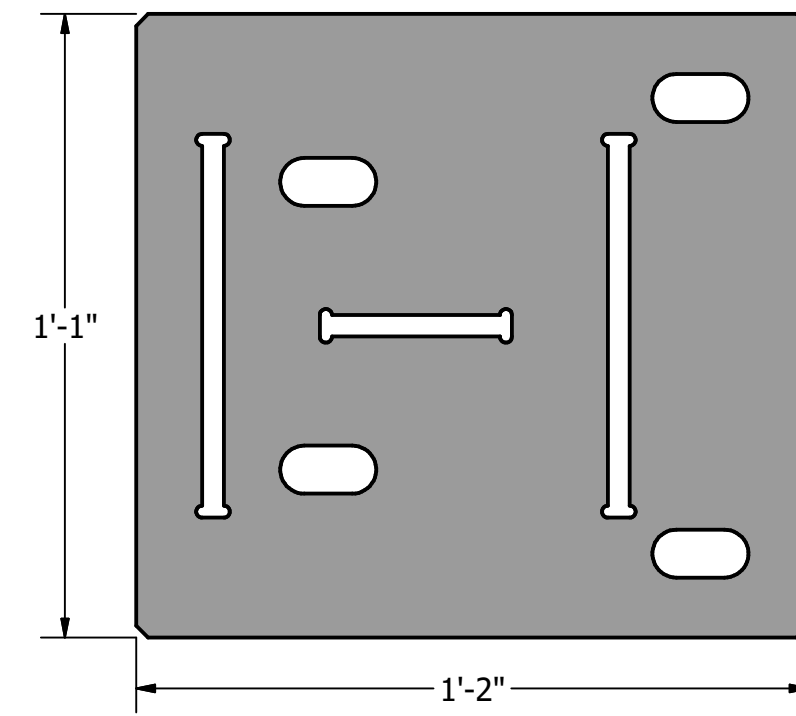
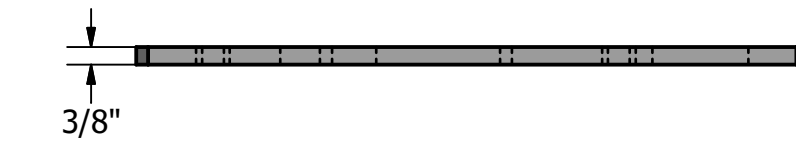


SKETCH
SCALE 1/3

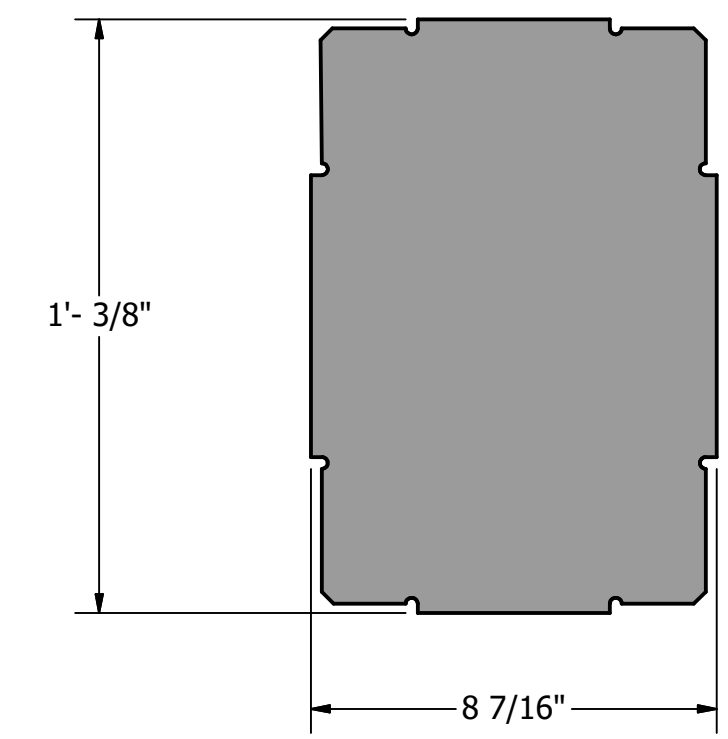
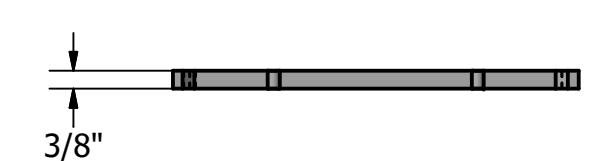


SIDE
SCALE 1/3

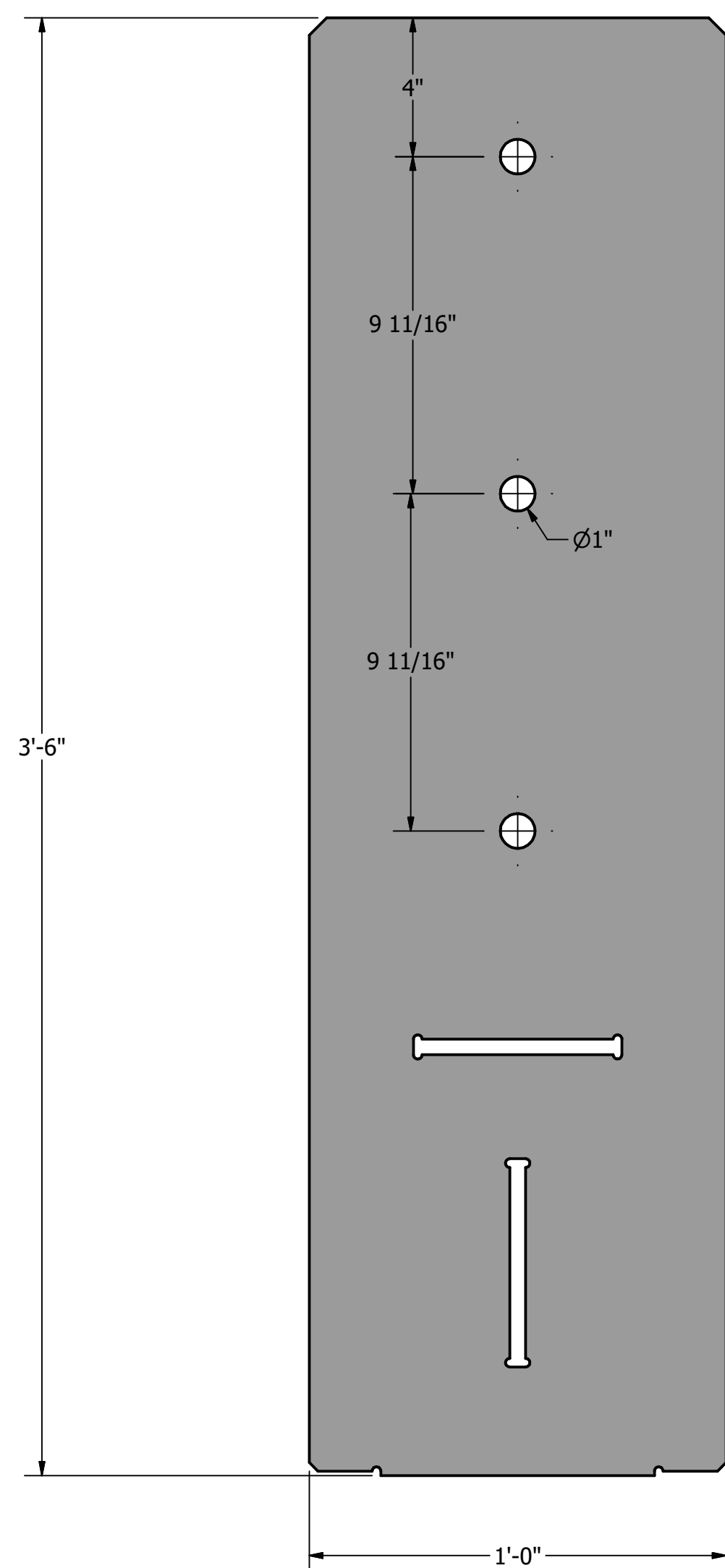
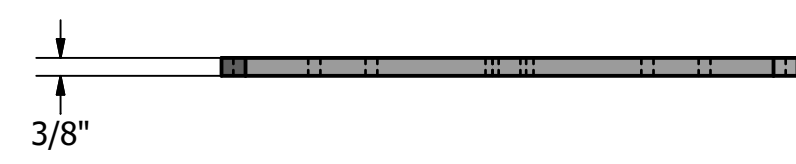
DRAWN	slunford	2/6/2022	POST BASE - MAIN POST-MIRROR		
CHECKED			TITLE		
QA					
MFG					
APPROVED					
			SIZE	DWG NO	REV
			24 x 36 (inches)	POST BASE v1	
			SCALE	1/3	SHEET 3 OF 4



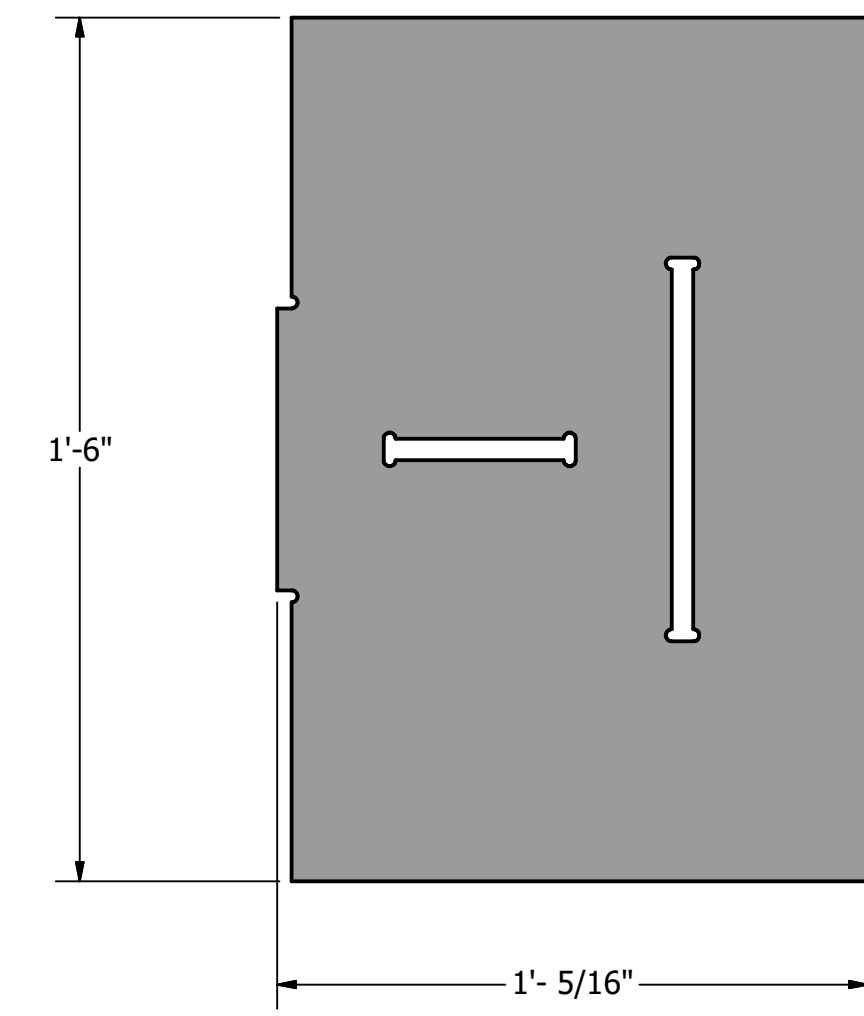
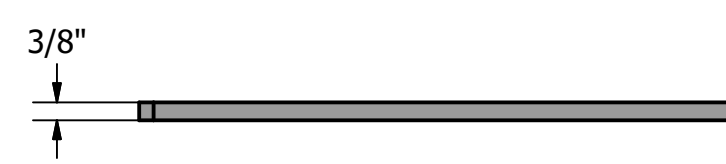
PB1-MIRR
SCALE 1 / 4
8 TOTAL



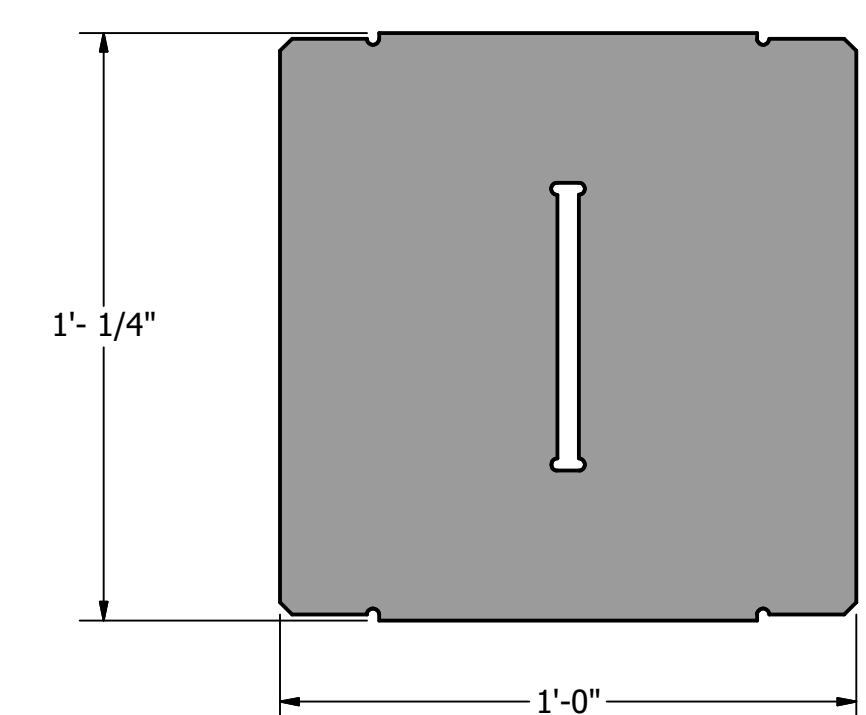
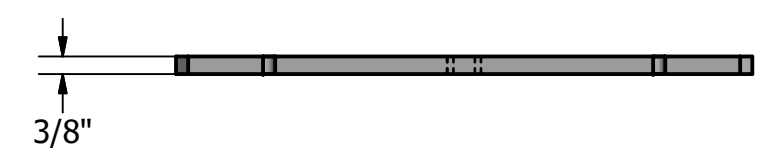
PB3-MIRR
SCALE 1 / 4
8 TOTAL



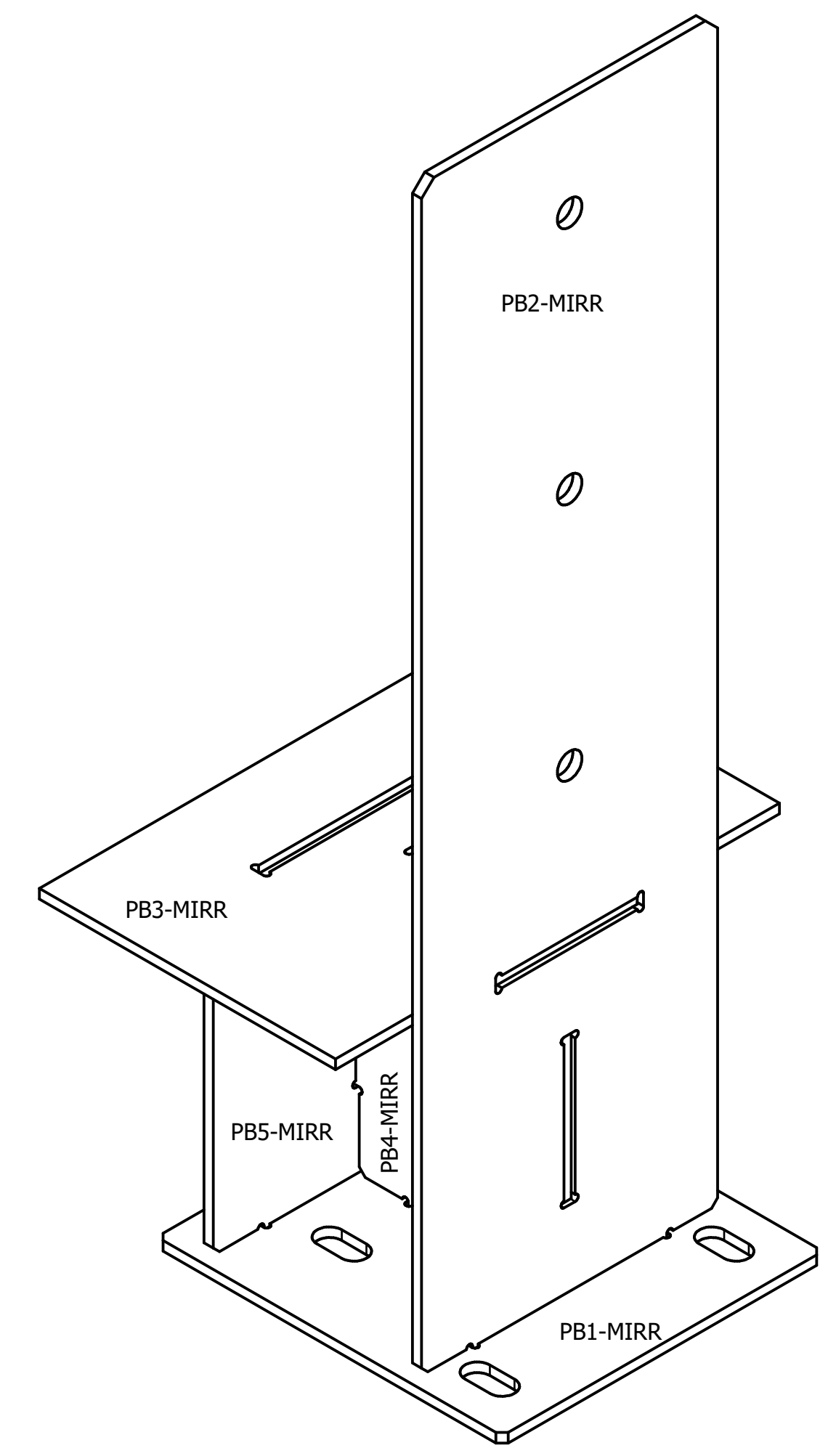
PB2-MIRR
SCALE 1 / 4
8 TOTAL



PB4-MIRR
SCALE 1 / 4
8 TOTAL



PB5-MIRR
SCALE 1 / 4
8 TOTAL



POST BASE-MAIN POST -MIRROR
SCALE 1 / 4
8 MIRRORED POST BASES TOTAL

DRAWN	slunford	2/6/2022	MIRRORED POST BASES-PARTS		
CHECKED			TITLE		
QA					
MFG					
APPROVED					
			SIZE	DWG NO	REV
			24 x 36 (inches)	POST BASE v1	A
			SCALE	1 / 4	SHEET 4 OF 4