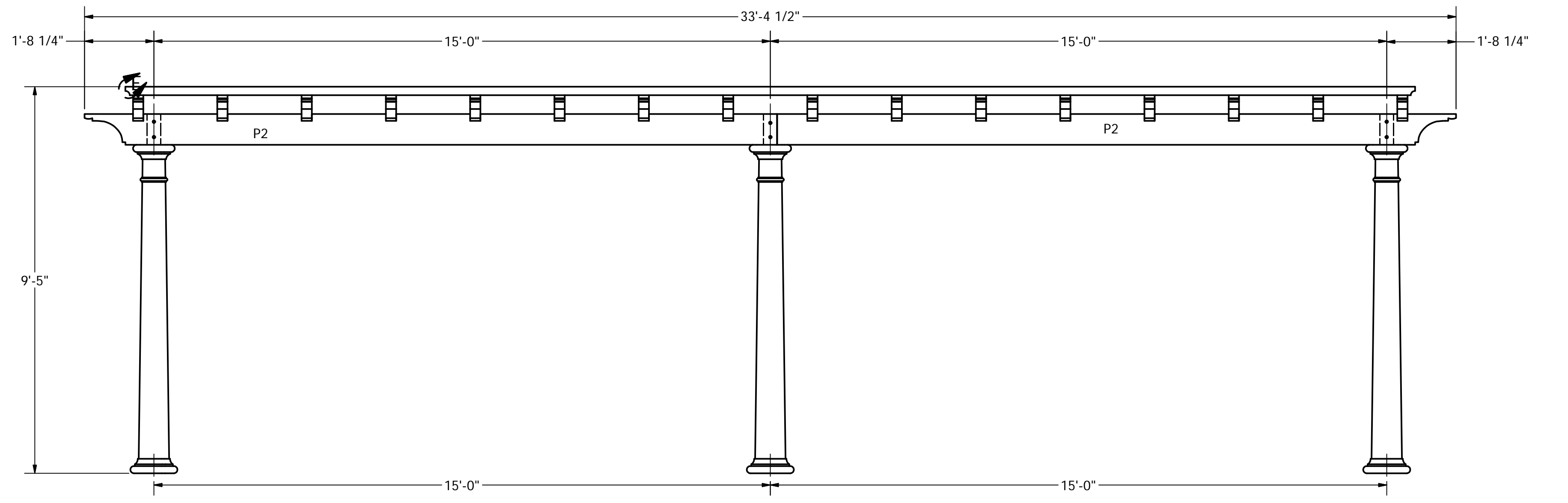
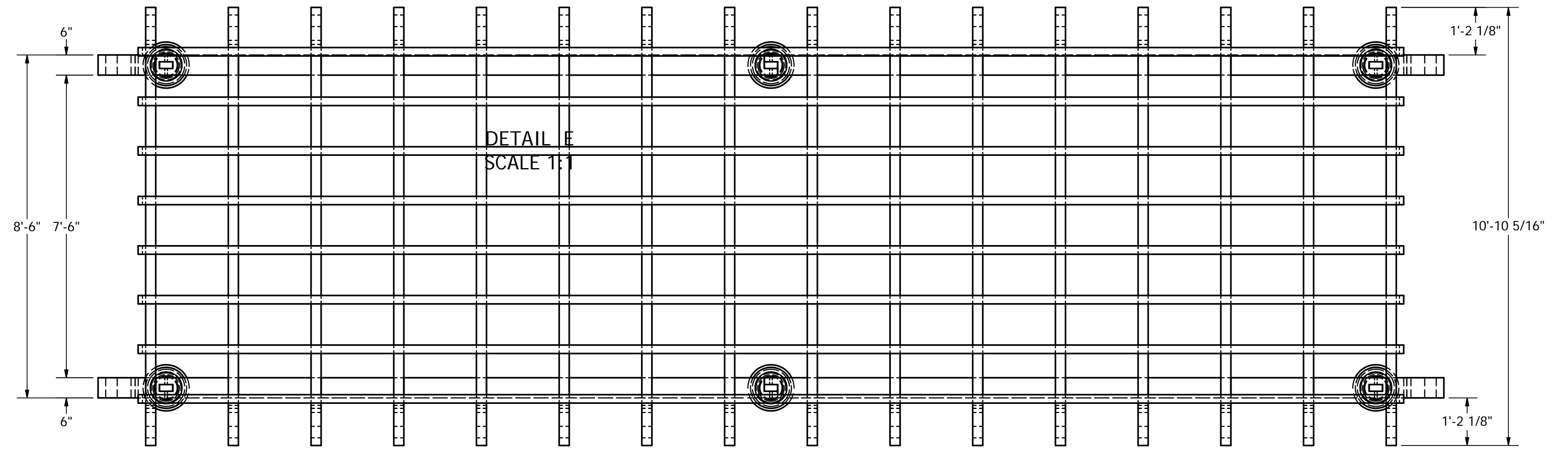
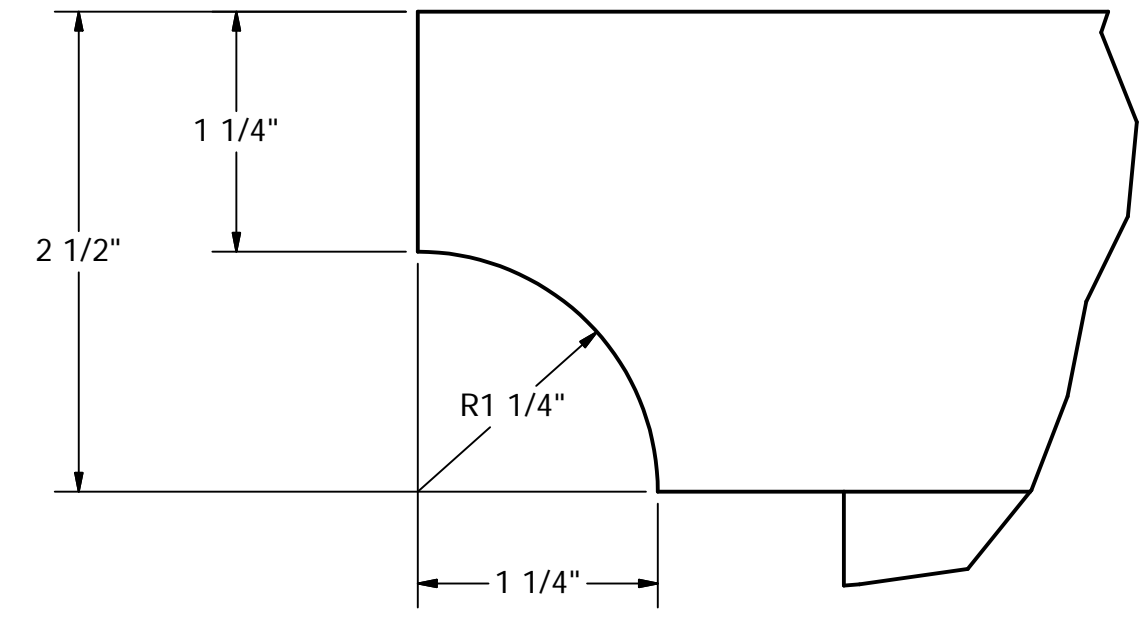


FRONT
SCALE 1"=1'

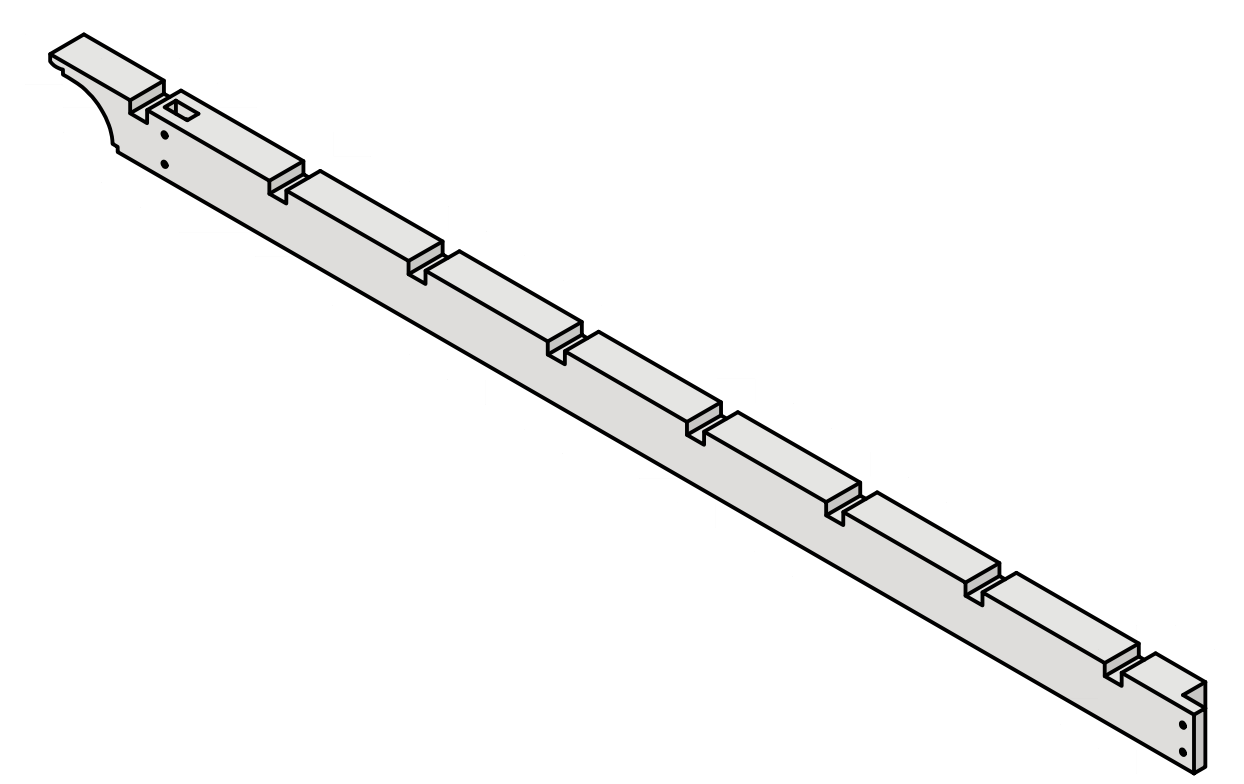
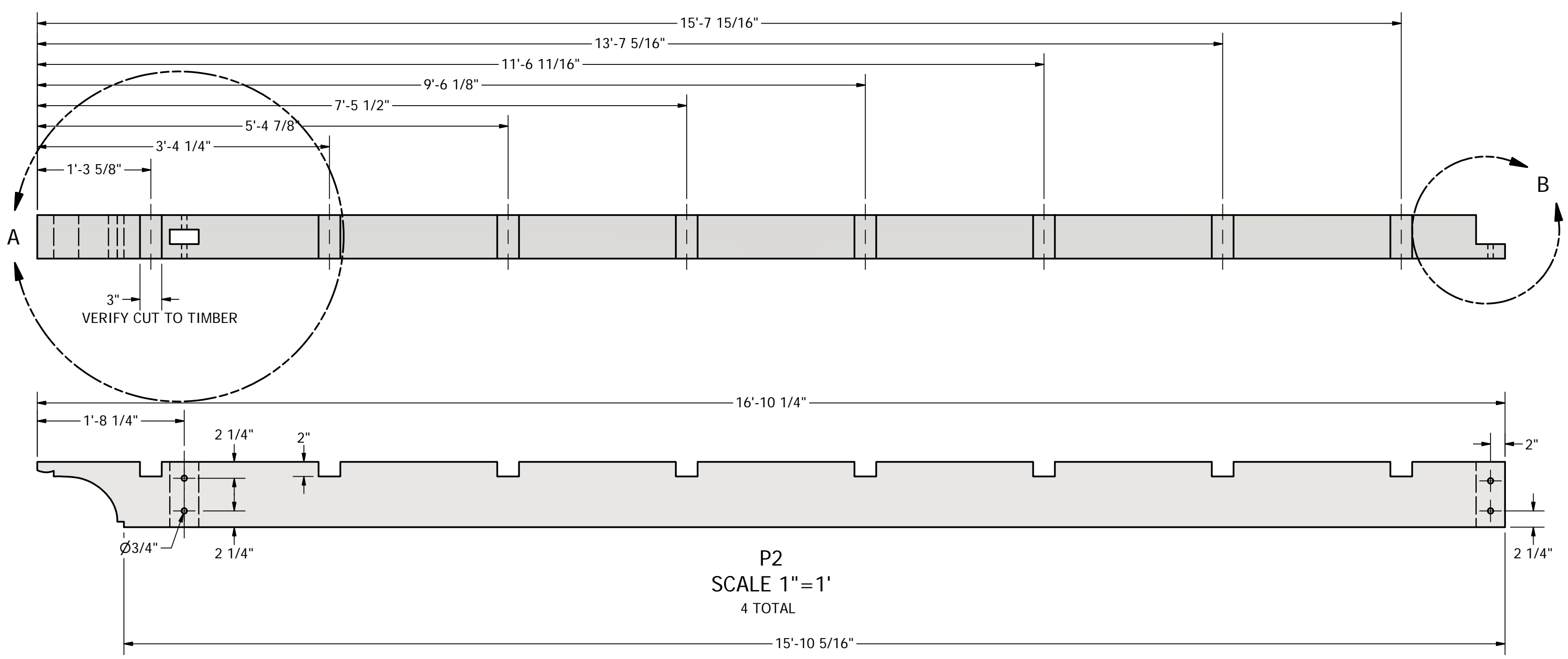


SIDE
SCALE 1/2"=1'

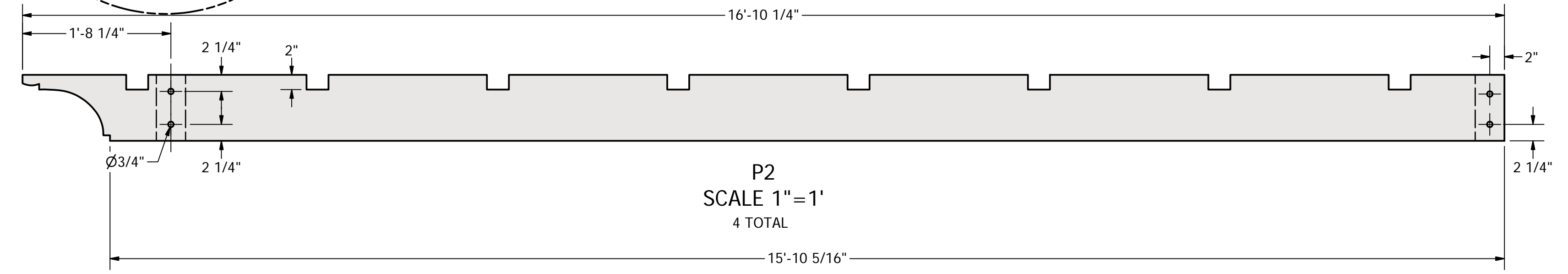
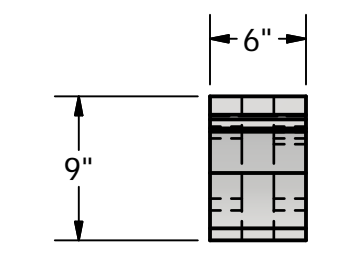


DETAIL E
SCALE 1/4\"/>

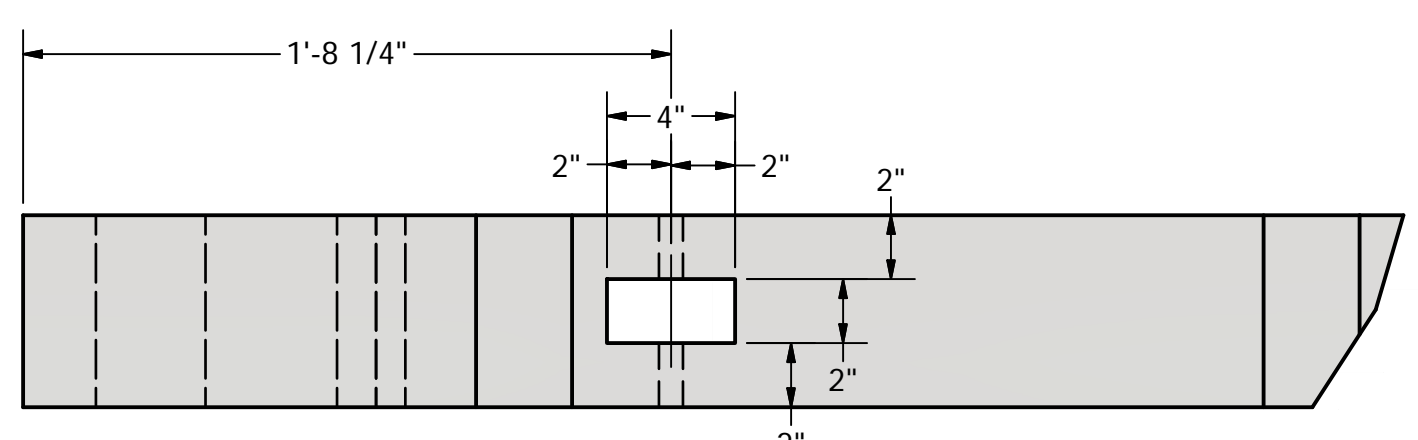
DRAWN slunford	7/13/2022	WALK PERGOLA			
CHECKED		TITLE			
QA					
MFG					
APPROVED					
		SIZE	DWG NO	REV	
		24 x 36 (inches)	walk pergola- BUILD DRAWINGS		
		SCALE	1"=1'		
					SHEET 1 OF 4



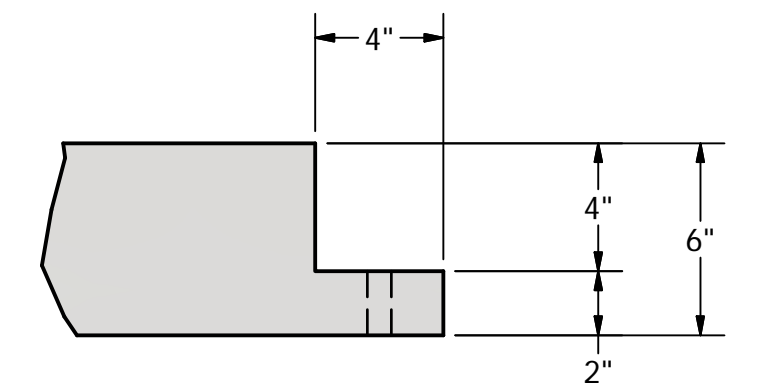
SKETCH
SCALE 1/2" = 1'



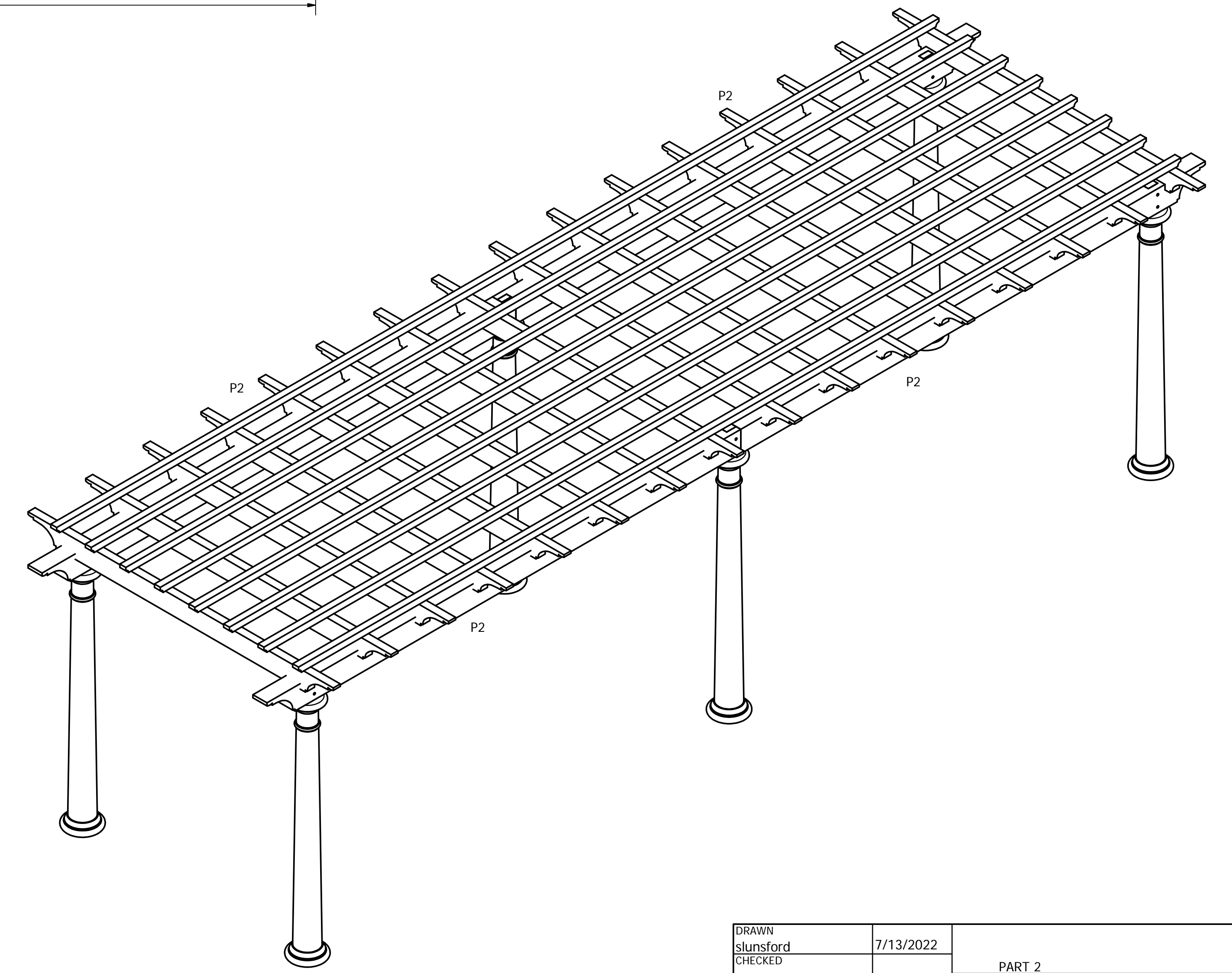
P2
SCALE 1" = 1'
4 TOTAL



DETAIL A
SCALE 2" = 1'

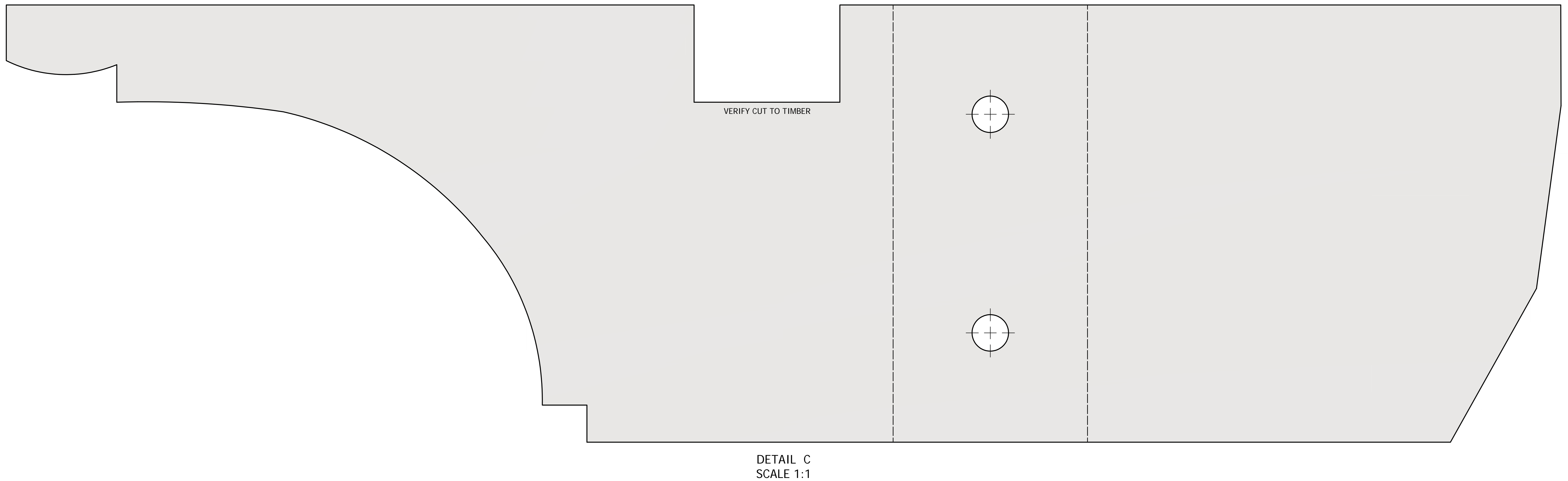
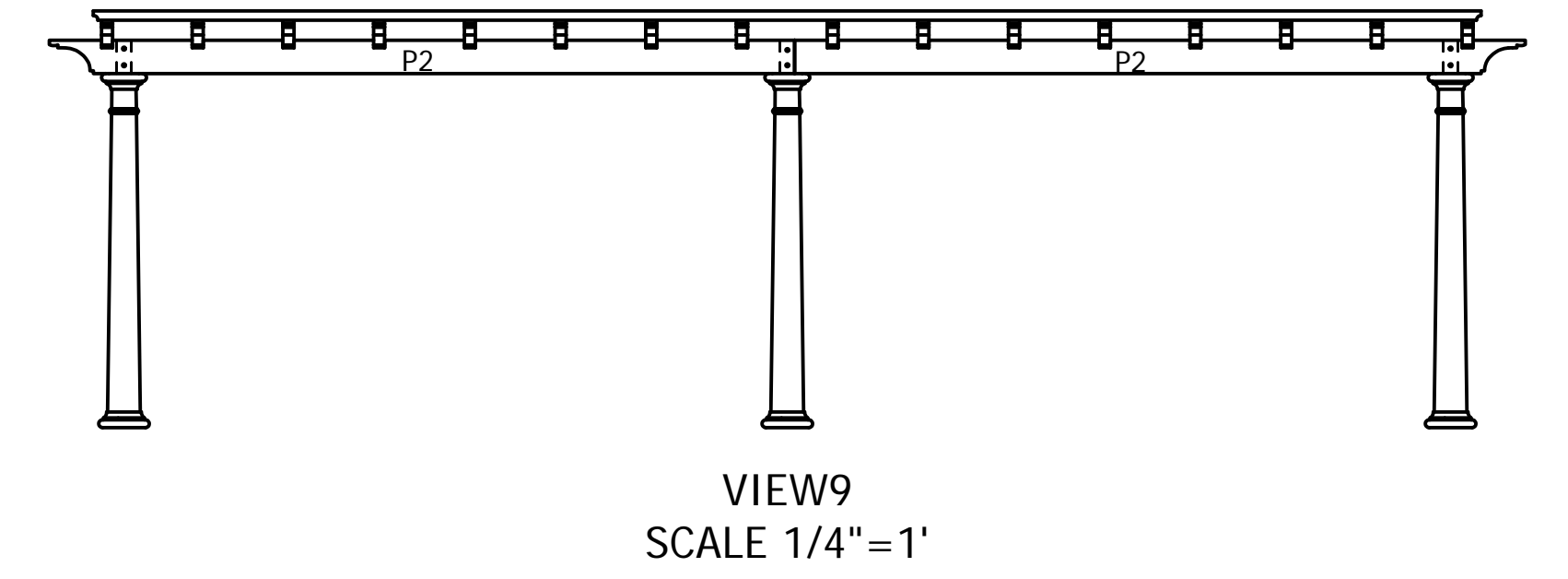
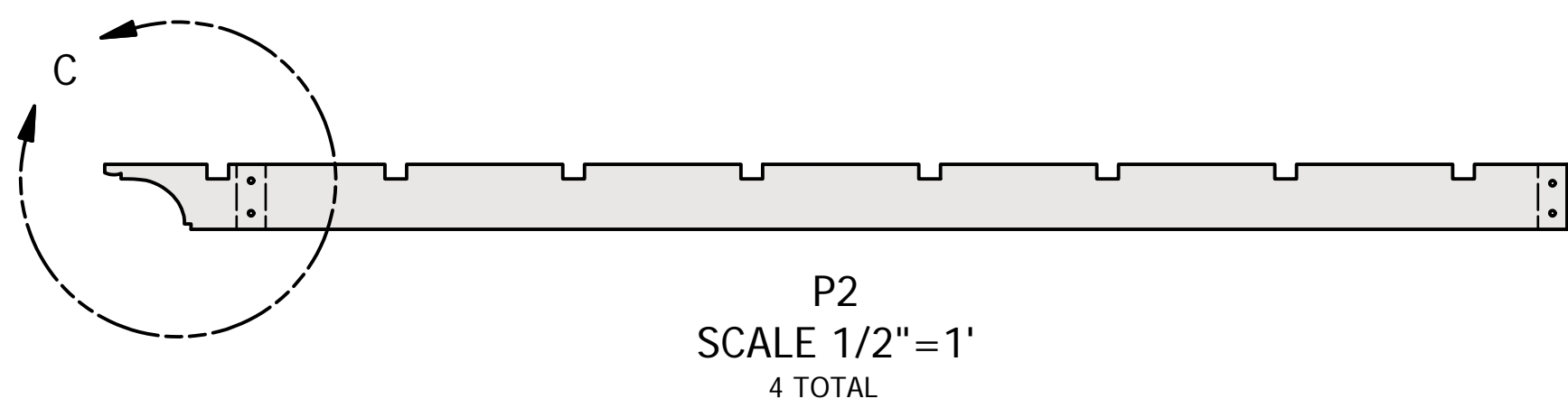


DETAIL B
SCALE 2" = 1'

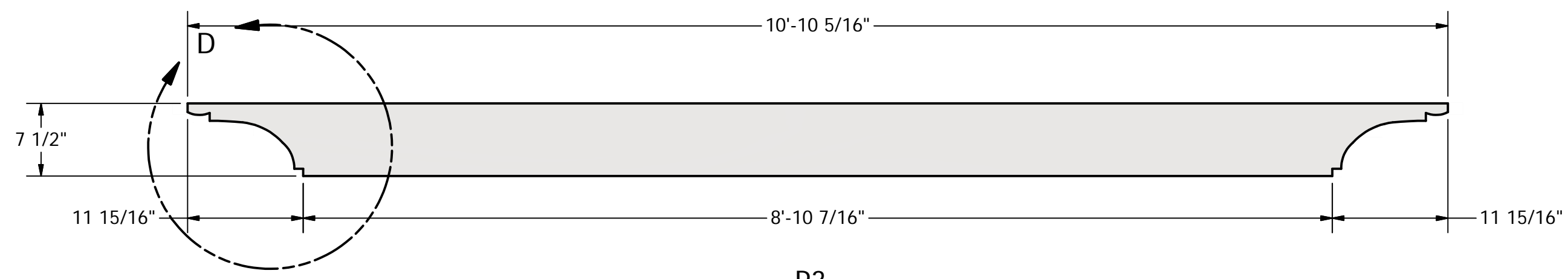
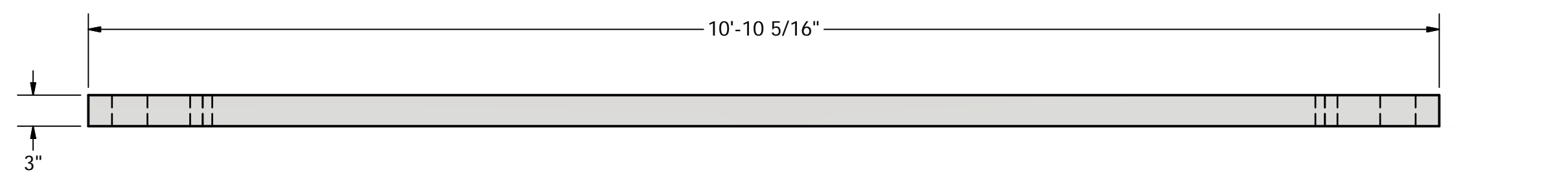


SKETCH
SCALE 1/2" = 1'

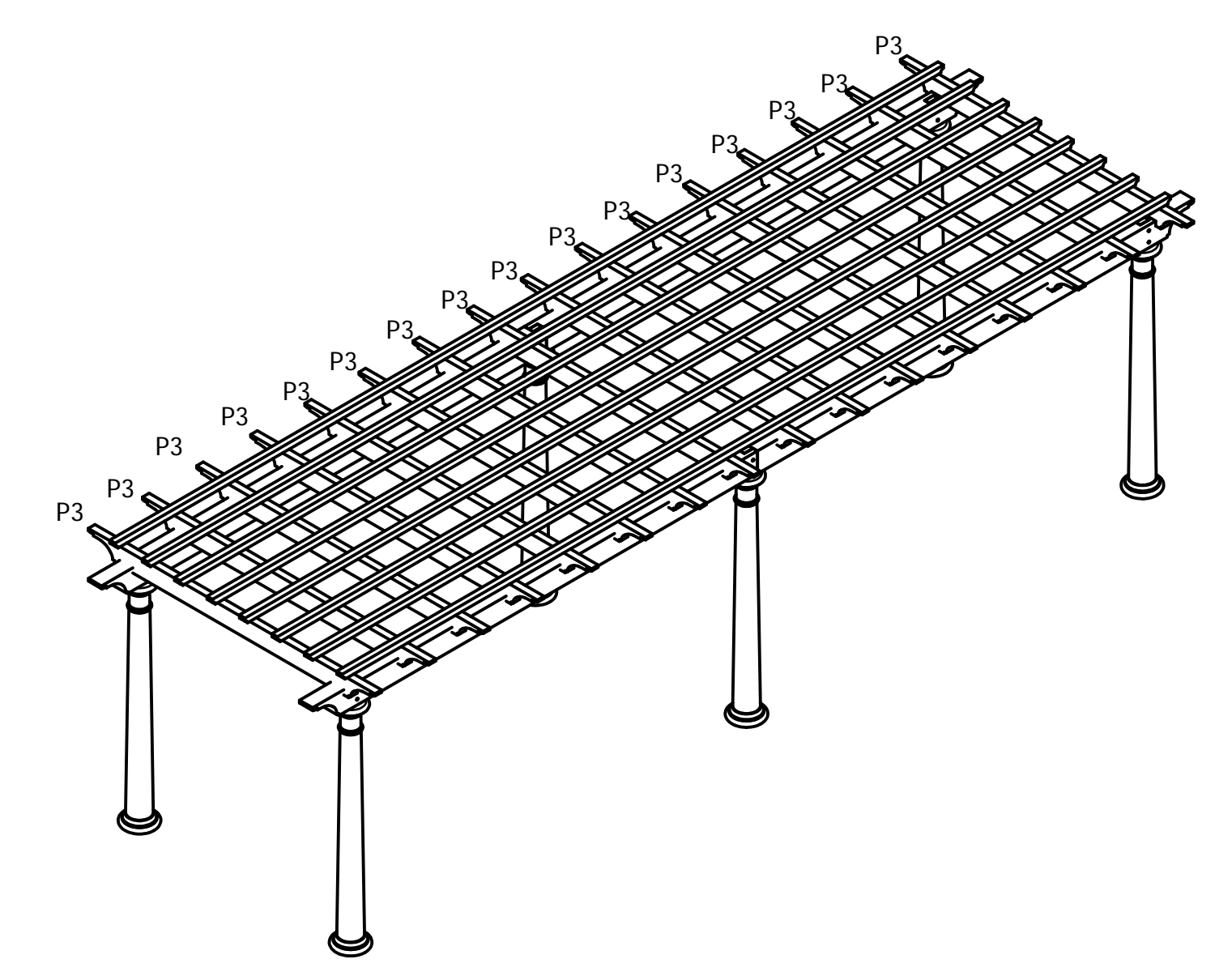
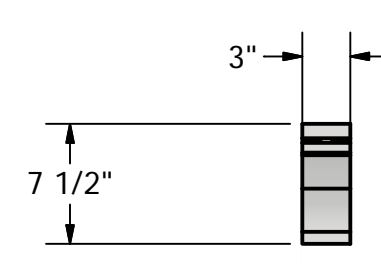
DRAWN	slunford	7/13/2022	PART 2		
CHECKED			4 TOTAL		
QA					
MFG					
APPROVED					
			SIZE	DWG NO	REV
			24 x 36 (inches)	walk pergola- BUILD DRAWINGS	
			SCALE	1" = 1'	SHEET 2 OF 4



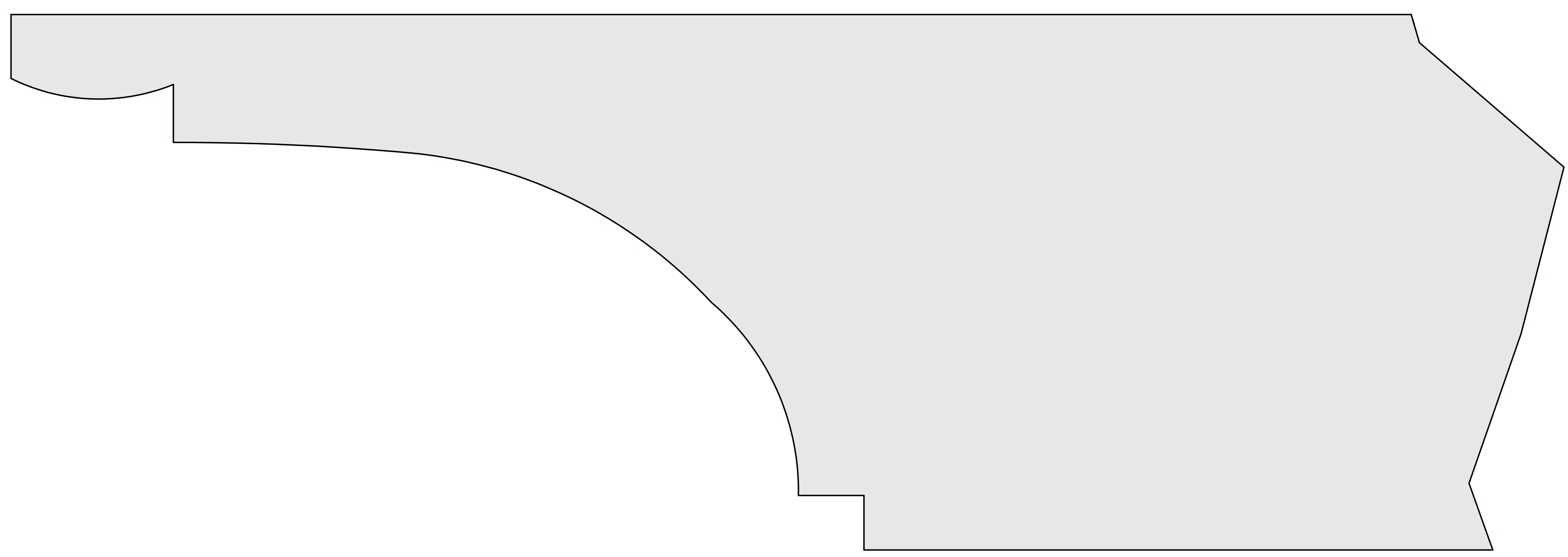
DRAWN	7/13/2022	PART 2		
slunsford		TITLE		
CHECKED		TITLE		
QA		TITLE		
MFG		TITLE		
APPROVED		TITLE		
		SIZE	DWG NO	REV
		24 x 36 (inches)	walk pergola- BUILD DRAWINGS	
		SCALE 1/4"=1'		SHEET 3 OF 4



P3
SCALE 1" = 1'
16 TOTAL

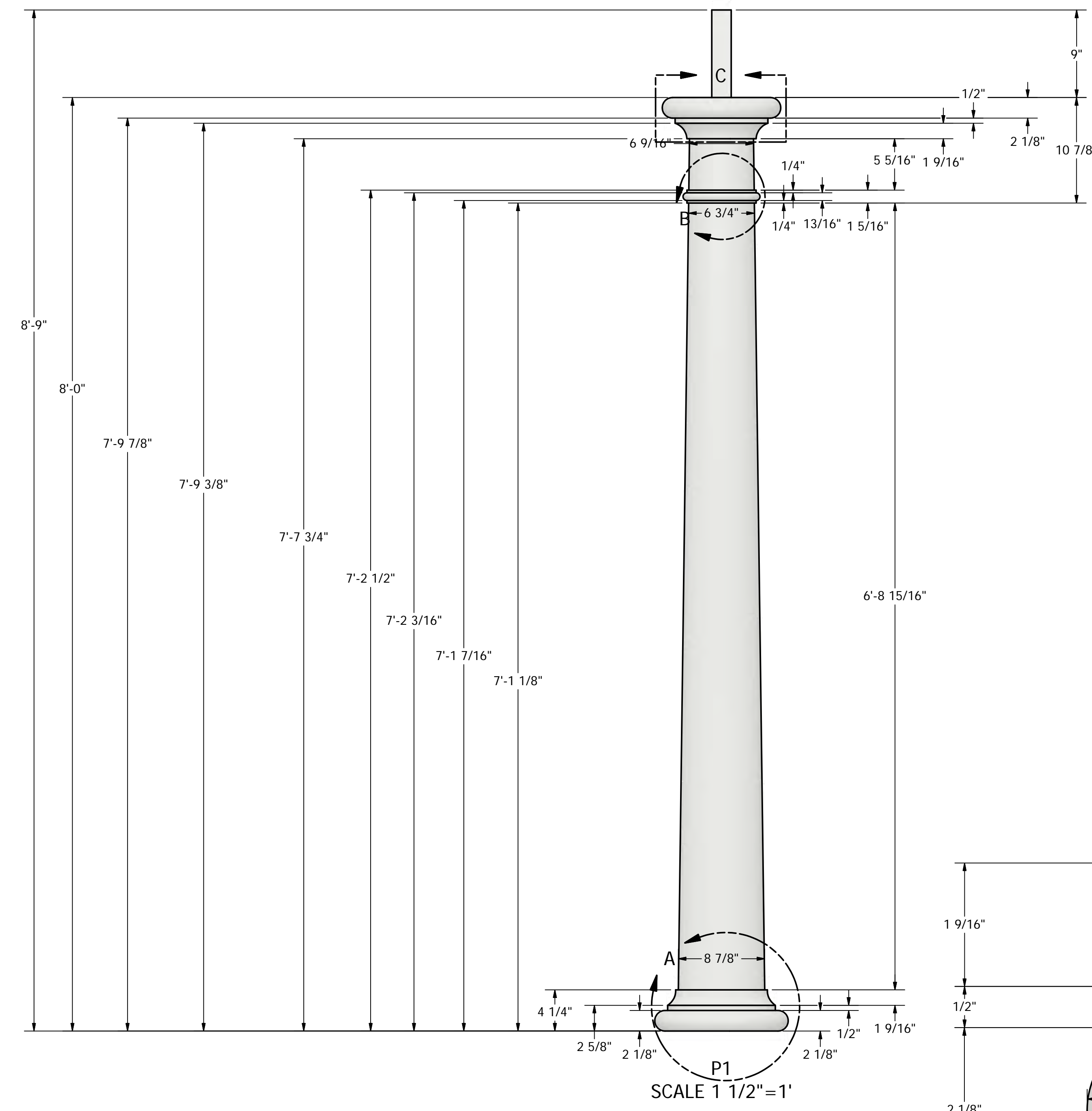
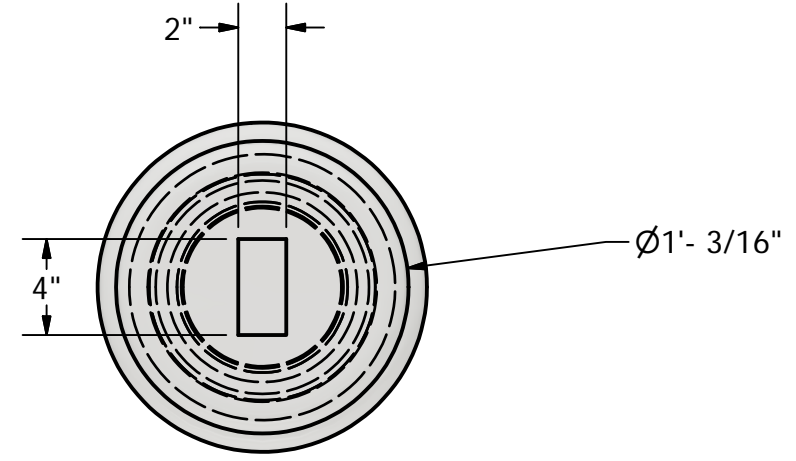


SKECTH
SCALE 1 / 50

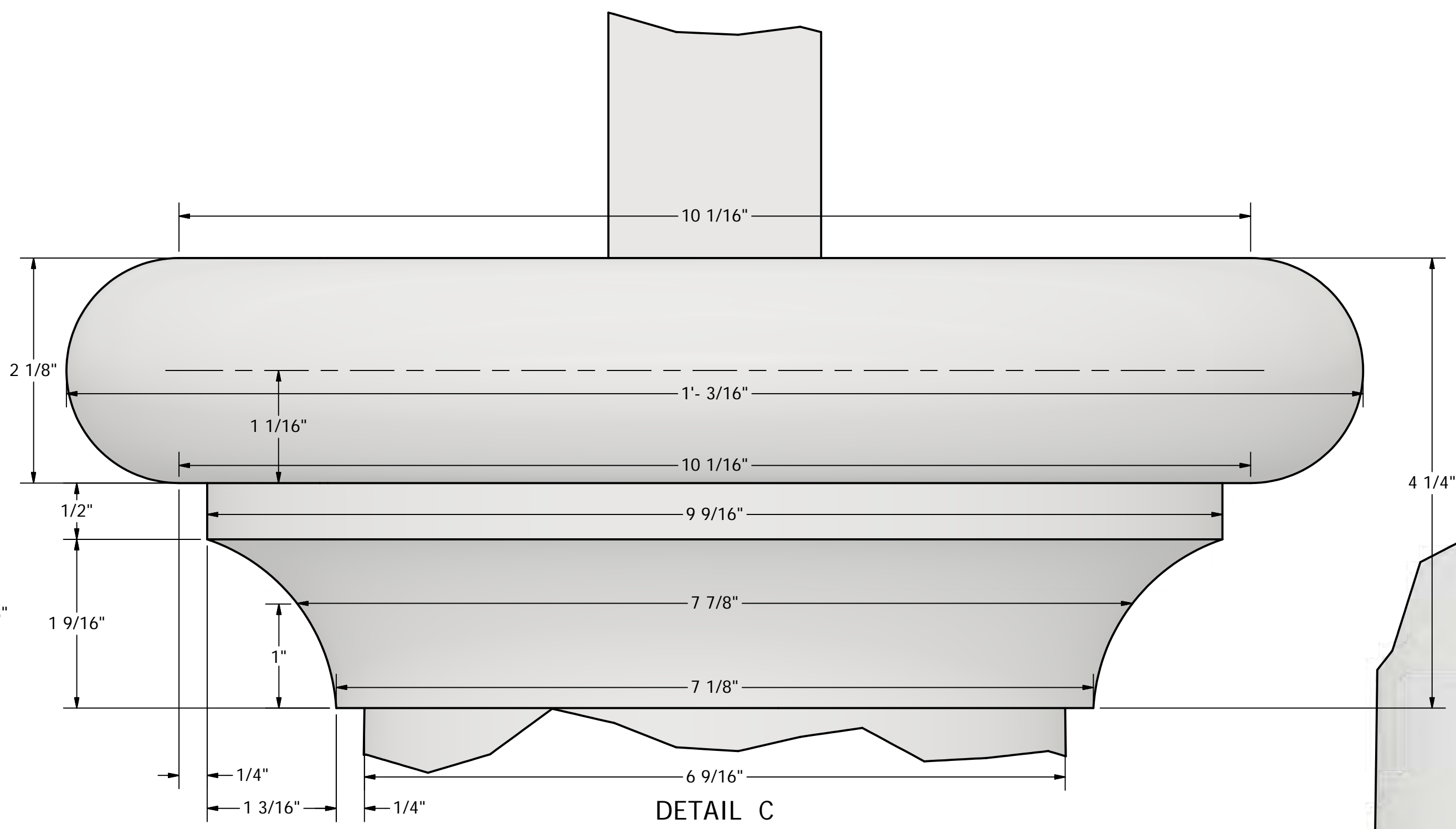
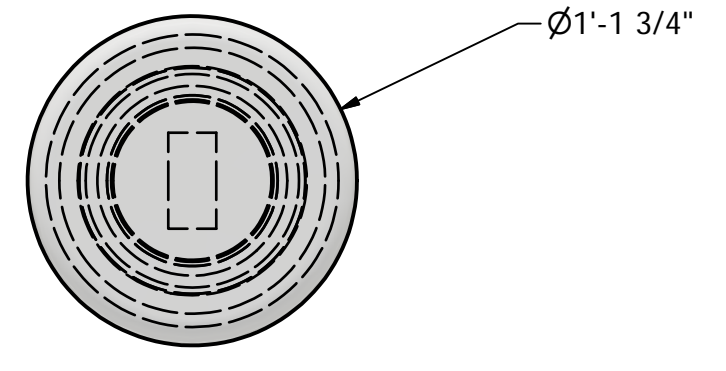


DETAIL D
SCALE 1:1

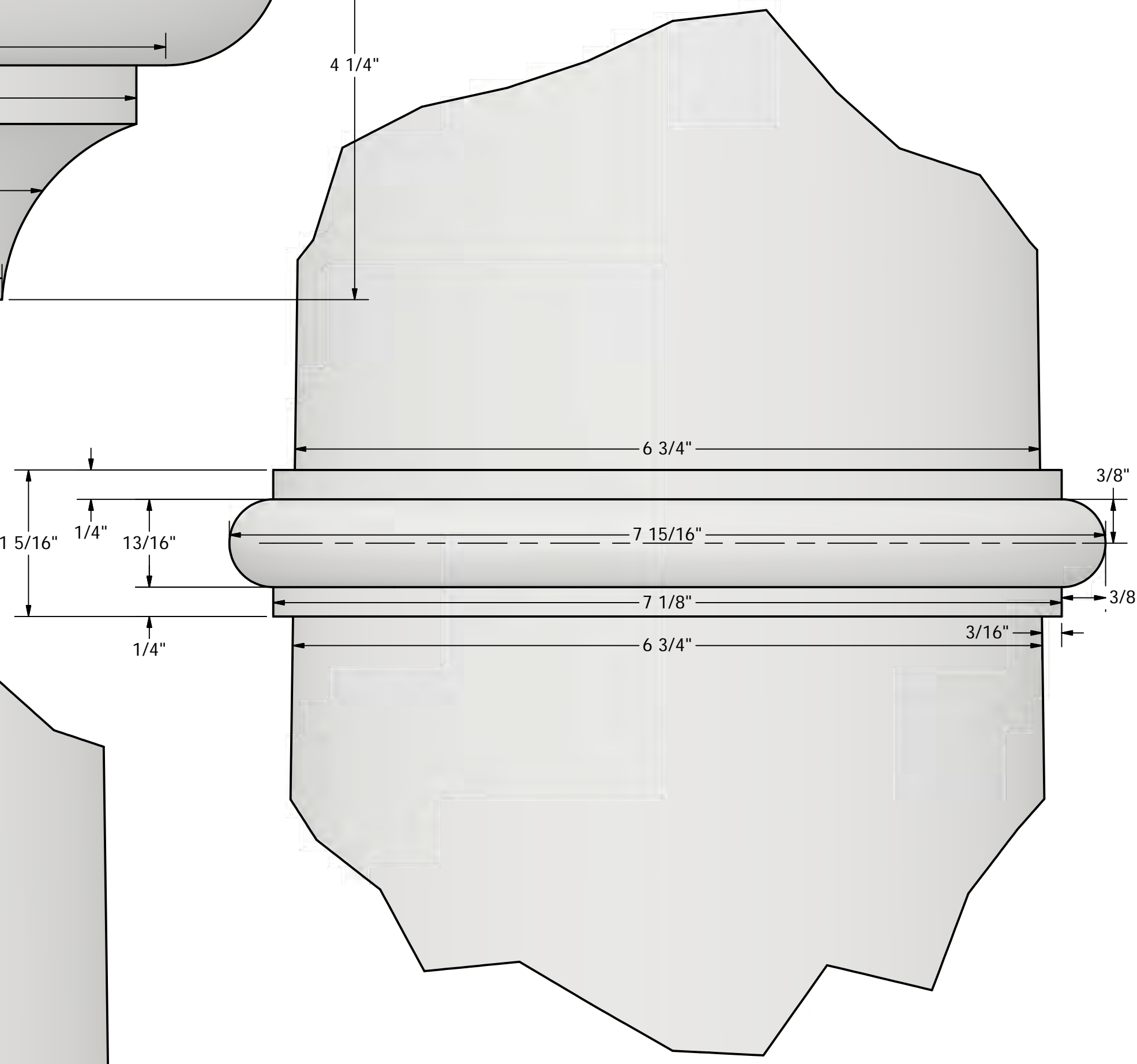
DRAWN	slunford	7/13/2022	PART 3		
CHECKED			TITLE 16 TOTAL		
QA					
MFG					
APPROVED					
			SIZE	DWG NO	REV
			24 x 36 (inches)	walk pergola- BUILD DRAWINGS	
			SCALE	1"=1'	SHEET 4 OF 4



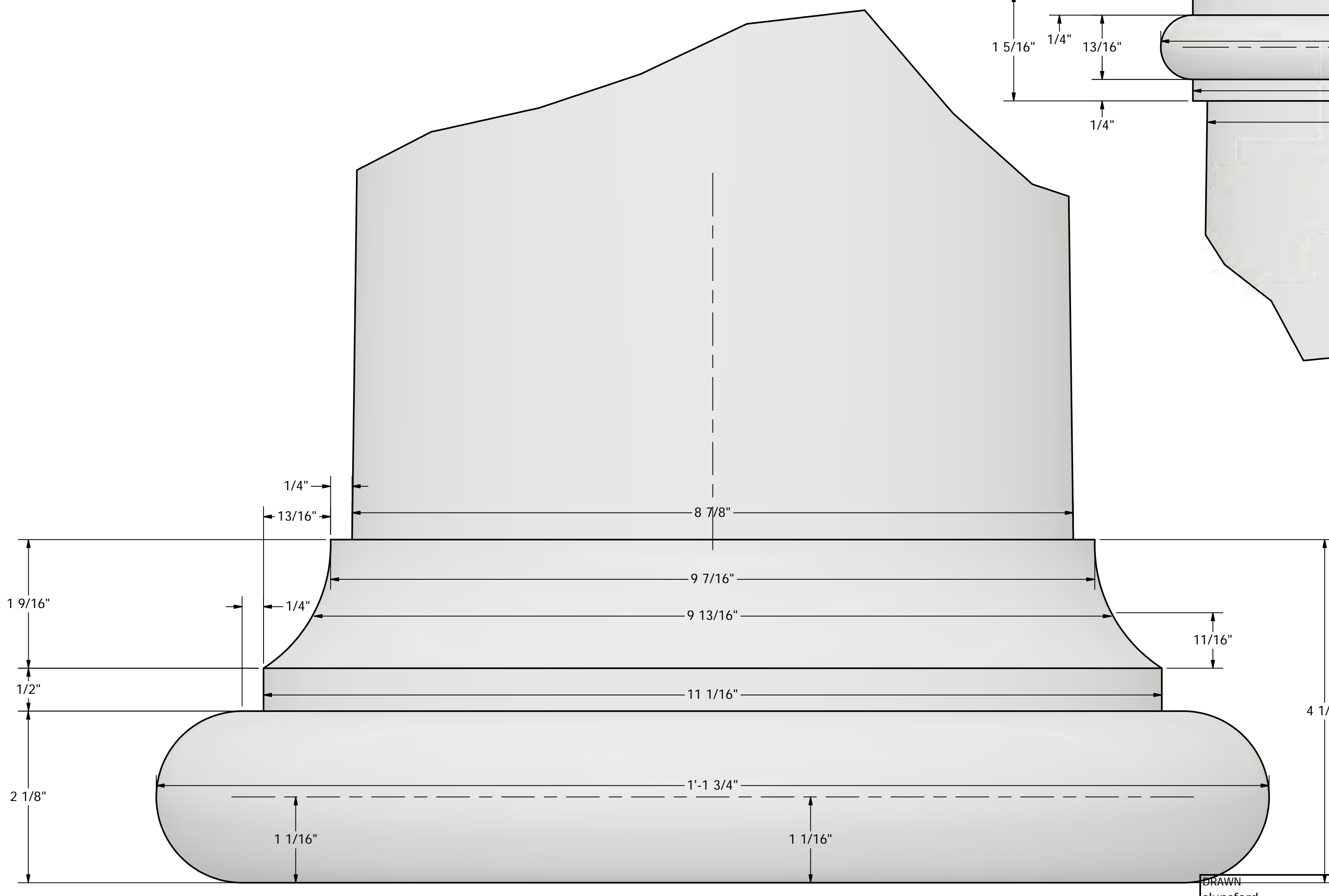
P1
SCALE 1 1/2" = 1'



DETAIL C
SCALE 1:1



DETAIL B
SCALE 1:1



DETAIL A
SCALE 1:1

DRAWN	slunsford	5/2/2022	10TH AND OAK		
CHECKED			TITLE		
QA					
MFG					
APPROVED					
			SIZE	DWG NO	REV
			24 x 36 (inches)	COLUMN 10TH AND oAK	
			SCALE 1 1/2" = 1'		SHEET 1 OF 1